



Date
Quote #
Project Name
Type



QUAD-O - Light Column

Description:

Heavy duty extruded aluminum housing construction with an opal acrylic lens. Choose between a 6X6 or 8X8 square, and standard heights are 10 or 16 feet. Custom sizes available: contact factory.

Name - Engine - Lumens - CCT - Electrical - Mounting - Lens - Pattern - Options - Finish

Name	Light Engine	Source Lumens(LED)	Color Temp	Electrical
QUAD-O-6	6-10	36 LED (Max)	3000K	UNV 120-277V
	6-16	60 LED (Max)		
QUAD-O-8		10560	3500K	HLV 347-480V
	8-10	48 LED (Max)	4000K	
	8-16	72 LED (Max)	5000K	
	Contact for custom	Contact for custom	Contact for custom	

Mounting	Lens	Light Pattern	Options	Finishes
ABT Anchor, bolts and template	OAL Opal acrylic lens	TY5 Type V (Std)	SD Step dimming	Standard
			MS Motion sensor	BL Black
			EM Emergency battery	WH White
			TP Tamperproof hardware	SG Silver Grey
			TS Tamperproof screws	BZ Bronze
			PC Button photocell	Custom
			GFR Ground fault receptacle	CC Custom Color
			COM Intercom	See website for custom colors. Contact factory for physical samples.
			SF Single fuse	
			BC Base cover	
			TCO Trespass cut off	

- Lumens are based on max wattage & 5000K CCT
- IES files available upon request
- Std - Standard Offering

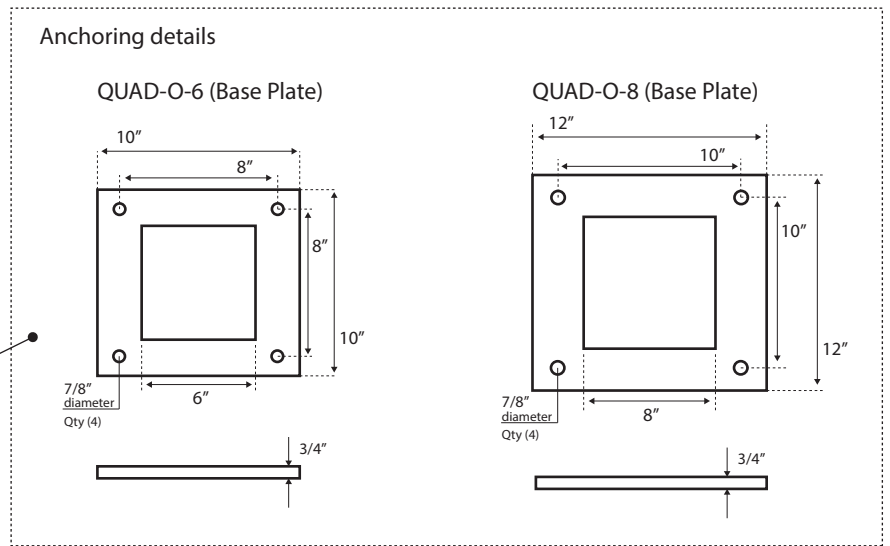
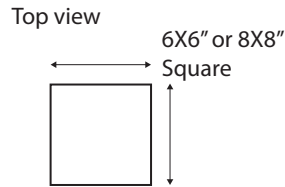
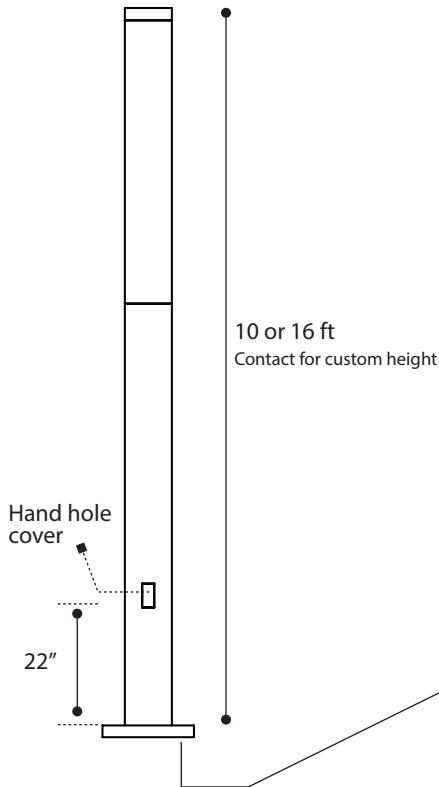




Dimensions & Mounting:

Please note that drawings are not to scale.

Side view



Listing:

Complies to CSA and UL standards.

Polar Graph:

