



Date:
Type:
Project:



PHARE - BOLLARD

DESCRIPTION:

PHARE is designed to add an exceptional touch to pathway lighting. Various optical systems available house side cutoff to suit diverse environments.

Name	Lamping		Lumens	Color Temp	Electrical		Mounting	
	PHARE-6"	6			36 LED (Max)	4680	3000K	UNV
PHARE-8"	8	42 LED (Max)	5460	4000K	HLV	347-480V		
				5000K				
	*Contact for other wattages		*Contact for custom	*Specify other				

Lens		Light Pattern		Options		Finishes		
OAL	Opal Acrylic Lens	6W	6 Windows	TP	Tamperproof Hardware	BL	Black	
CGL	Color Glow Lens	3W	3 Windows	TS	Tamperproof Screwdriver	WH	White	
		3WH	3 Windows - House Side Cutoff	PC	Button Photocell	SG	Silver Grey	
				GFR	Ground Fault Receptacle	BZ	Bronze	
				SF	Single Fuse			
							*See finishes info on website	

✦ Lumens are based on Max Wattage and 5000K CCT

Std- Standard Offering

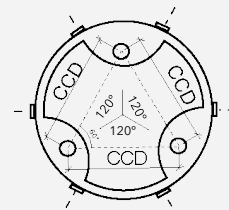
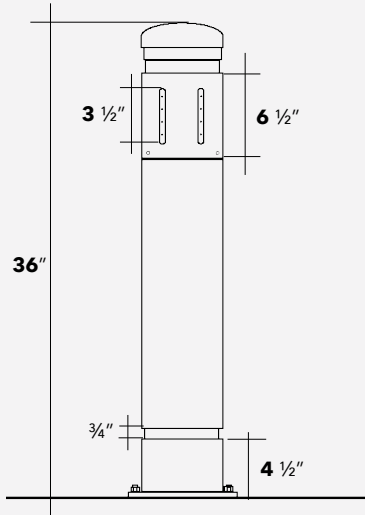
PHARE- _____

Customization Notes:

▶▶▶ Info on this spec sheet will change without notice as product development is an ongoing process.

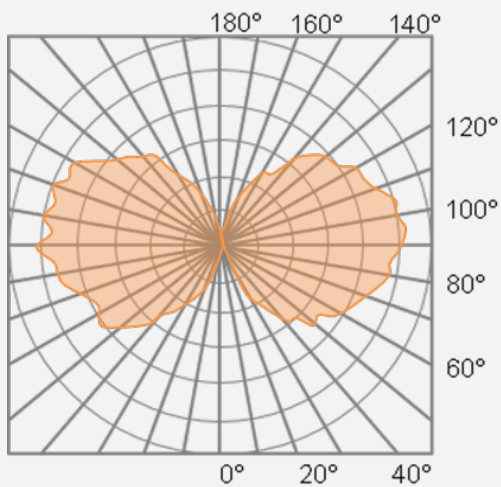


Dimensions & Mounting (drawings are not to scale)



Shaft Diameter	CCD	BCD
6" Diameter	3.5"	4.04"
8" Diameter	4.5"	5.196"

Polar Graph



6 Windows