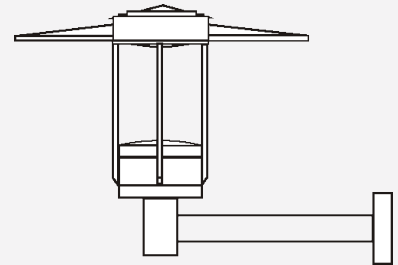


| |
|-----------------|
| Date: |
| Type: |
| Project: |



OTAY - WALL MOUNT

DESCRIPTION:

Fixture housing is constructed from die-cast and spun aluminum for durability. Weather proof silicone gasket seal for extra protection.

| Name | Lamping | Lumens | Color Temp | Electrical | | Mounting | |
|------|-----------------------------|---------------------|----------------|------------|-----------------|----------|-----------------------|
| OTAY | 45W LED (Max) | 6929 | 3000K | UNV | 120-277V | WM1 | Single Straight Arm 1 |
| | 150HPS | | 4000K | HLV | 347-480V | WM2 | Double Straight Arm 2 |
| | 150MH | | 5000K | TT | Tri-Tap (HID) | | |
| | PLT42 | | | MT | Multi-Tap (HID) | | |
| | *Contact for other wattages | *Contact for custom | *Specify other | | | | |

| Lens | | Light Pattern | | Options | | Finishes | |
|------|--------------------------------|---------------|----------|---------|-------------------------|-----------------------------------|-------------|
| CPL | Clear Polycarbonate Lens (Std) | TY5 | Type V | DM | 0-10V Dimming | BL | Black |
| SAG | Clear SAG Lens | TY3 | Type III | TP | Tamperproof Hardware | WH | White |
| | | | | SF | Single Fuse | SG | Silver Grey |
| | | | | TS | Tamperproof Screwdriver | BZ | Bronze |
| | | | | PC | Button Photocell | | |
| | | | | | | *See finishes brochure for custom | |

✦ Lumens are Based on Max Wattage and 5000K CCT

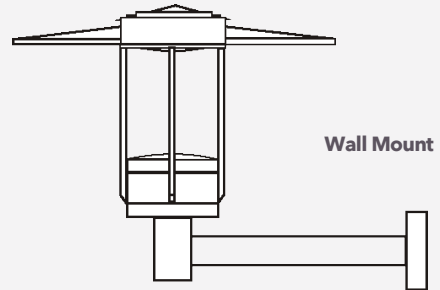
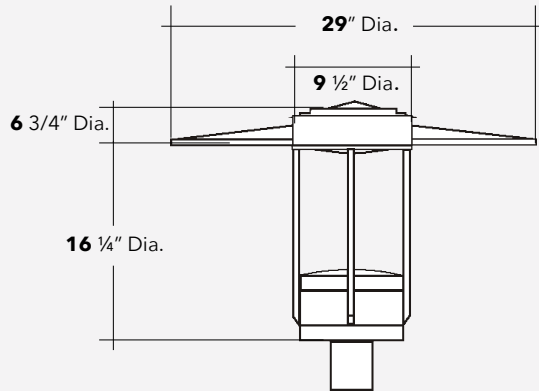
Std - Standard Offering

OTAY- _____

Customization Notes:

▶▶▶ Info on this spec sheet will change without notice as product development is an ongoing process.

Dimensions & Mounting (drawings are not to scale)



Polar Graph

