



<b>Date:</b>
<b>Type:</b>
<b>Project:</b>



**OTAY - POST TOP/POLE MOUNT**

**DESCRIPTION:**

Fixture housing is constructed from die-cast and spun aluminum for durability. Weather proof silicone gasket seal for extra protection.

Name	Lamping	Lumens	Color Temp	Electrical		Mounting	
OTAY	45W LED (Max)	6929	3000K	UNV	120-277V	PT4	Post top slips over 4" dia pole
	150HPS		4000K	HLV	347-480V	PT3	Post top slips over 3" dia pole
	150MH		5000K	TT	Tri-Tap (HID)		
	PLT42			MT	Multi-Tap (HID)		
	*Contact for other Wattages	*Contact for custom	*Specify other			*Contact for other lengths	

Lens		Light Pattern		Options		Finishes	
CPL	Clear Polycarbonate Lens (Std)	TY5	Type V (Std)	DM	0-10V Dimming	BL	Black
SAG	Clear SAG Lens	TY3	Type III	TP	Tamperproof Hardware	WH	White
				SF	Single Fuse	SG	Silver Grey
				TS	Tamperproof Screwdriver	BZ	Bronze
				PC	Button Photocell		
				HCO	House Side Cutoff		
							*See finishes brochure for custom

✦ Lumens are Based on Max Wattage and 5000K CCT

Std - Standard Offering

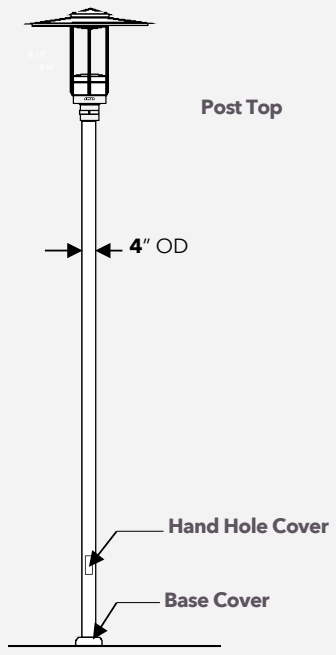
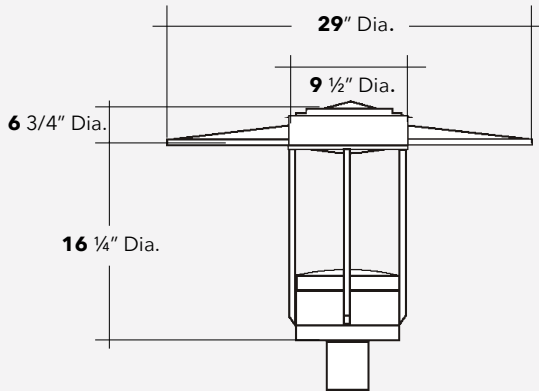
OTAY- \_\_\_\_\_

**Customization Notes:**

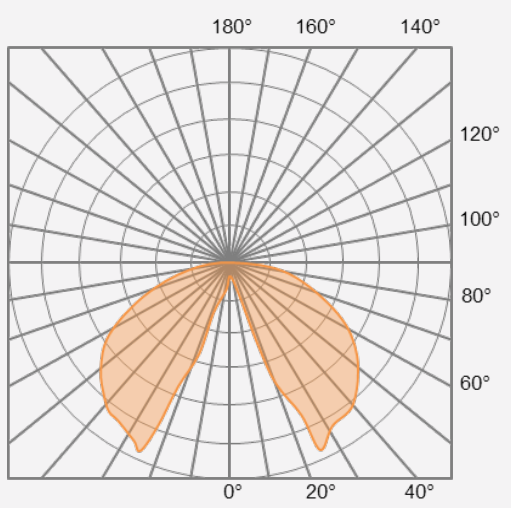
\*\*\* Info on this spec sheet will change without notice as product development is an ongoing process.



### Dimensions & Mounting (drawings are not to scale)



### Polar Graph



TYPE V