



Date
Quote #
Project Name
Type



ORB - Pendant

Description:

Constructed of an extruded aluminum driver housing and choice of prismatic acrylic refractor (PAR) or brushed aluminum reflector (BAR) on the bottom. Also, decorative arms (DA) are optional.

Name - Engine - Lumens - CCT - Electrical - Mounting - Lens - Pattern - Options - Finish

Name	Light Engine	Source Lumens _{(LED)(5000K)}	Color Temp	Electrical
ORB-14-BAR-DA	14-BAR-DA 90W LED (Max)	11736	2700K	UNV 120-277V
ORB-14-BAR	14-BAR 16-PAR-DA 16-PAR		3000K	HLV 347-480V
ORB-16-PAR-DA	22-PAR 160W LED (Max)	18734	3500K	
ORB-16-PAR			4000K	
ORB-22-PAR			5000K	
	Contact for custom	Contact for custom	Contact for custom	

Mounting	Lens	Light Pattern	Options	Finishes
AC48 48" aircraft cable (Std)	PAR Prismatic acrylic refractor	D Down light (Std)	DM 0-10V dimming	Standard
P48 48" pendant stem	BAR Brushed aluminum reflector		DM1 1% dimming	BL Black
			SF Single fuse	WH White
			EM Emergency battery	SG Silver Grey
			RB Remote ballast/driver	BZ Bronze
			SV Swivel canopy	Custom
				CC Custom Color
				See website for custom colors. Contact factory for physical samples.

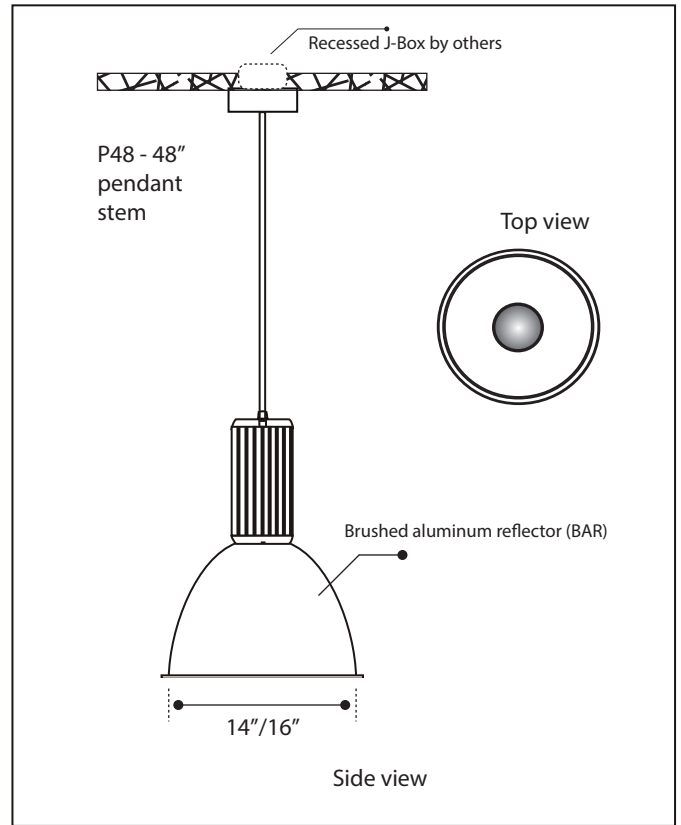
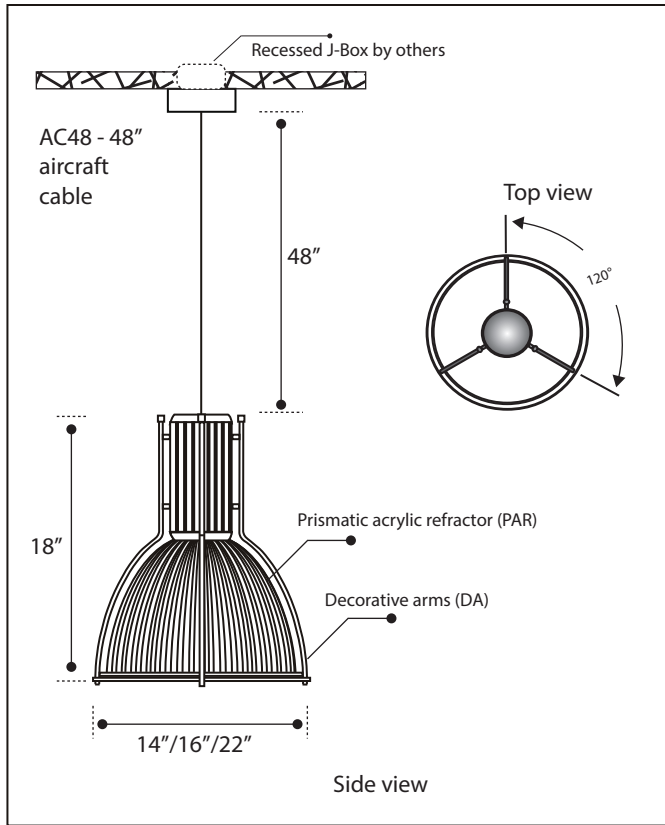
- Lumens are based on max wattage & 5000K CCT
- IES files available upon request
- Std - Standard Offering





Dimensions & Mounting:

Please note that drawings are not to scale.



Listing:

Complies to CSA and UL standards.

Polar Graph:

