

Date:
Type:
Project:



ORB - PENDANT

DESCRIPTION:

Extruded aluminum ballast housing. Cast aluminum cable clutch with aircraft cable and SVT cord. Prismatic acrylic refractor or brushed aluminum reflector with integral housing.

Name	Lamping		Lumens	Color Temp	Electrical		Mounting	
ORB	14 BAR (with bars)	90W LED (Max)	11736	3000K	UNV	120-277V	AC48	48" Aircraft Cable
	16 PAR(with bars)			4000K	HLV	347-480V	P48	48" Pendant Stem
	14 BAR (without bars)			5000K				
	16 PAR (without bars)							
	22 PAR	160W LED (Max)	18735					
*Contact Solera for other Wattages			*Contact for custom	*Specify other			*Contact Solera for other lengths	

Lens		Light Pattern		Options		Finishes		
CG	Clear Glass Lens	PAR	Prismatic Acrylic Refractor	DM	0-10V Dimming	BL	Black	
FG	Frosted Glass Lens	BAR	Brushed Aluminum Reflector	DM1	1% Dimming	WH	White	
CPL	Clear Polycarbonate Lens			EM	Emergency Battery	SG	Silver Grey	
O	Open Bottom			SF	Single Fuse	BZ	Bronze	
				RB	Remote Ballast/Driver			
				AEL	Automatic Quartz Restrike			
				SV	Swivel Canopy			
							*See finishes brochure for custom	

✦ Lumens are based on Max Wattage and 5000K CCT

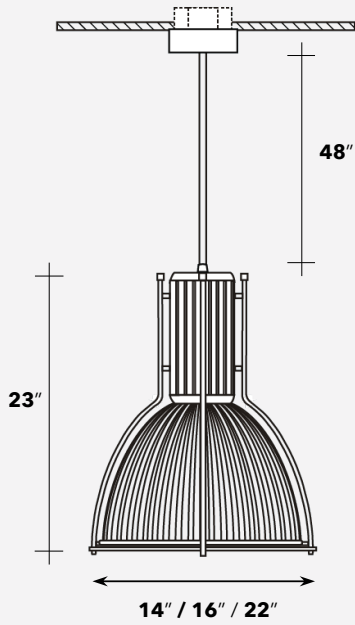
Std - Standard Offering

ORB - _____

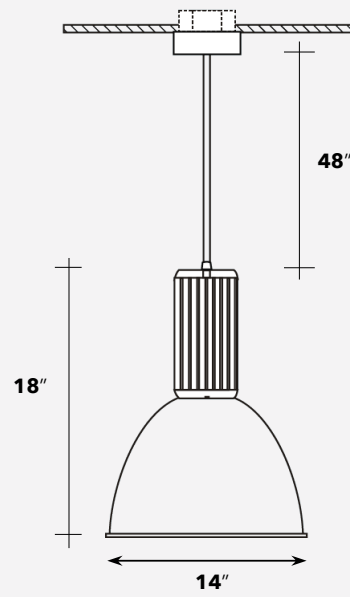
Customization Notes:

▶▶▶ Info on this spec sheet will change without notice as product development is an ongoing process.

Dimensions & Mounting (drawings are not to scale)

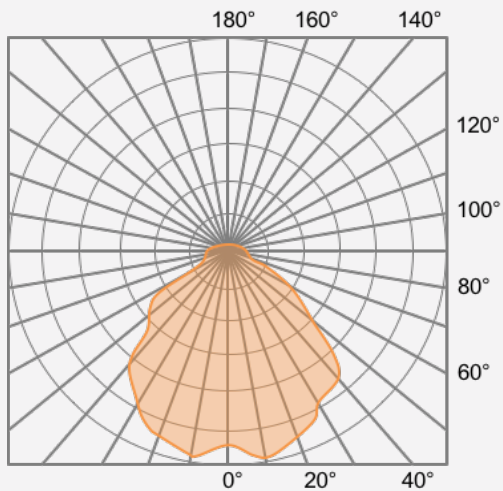


PAR - Prismatic Acrylic Reflector



BAR - Brushed Aluminum Reflector

Polar Graph



Prismatic Acrylic Reflector