



Date:

Type:

Project:



MMRC/LMRC- WALL MOUNT

DESCRIPTION:

Die cast aluminum housing with a cut off design.
External hardware is made of stainless steel.

Name	Lamping		Lumens	Color Temp		Electrical		Mounting	
MMRC	MMRC	30 LED (Max) 50MH 2CFL26	3900	3000K	UNV	120-277V		WM	Wall Mount
LMRC				4000K	HLV	347-480V			
	LMRC	48 LED (Max) 100MH PLT57	6240	5000K	TT	Tri-Tap (HID)			
				MT	Multi-Tap (HID)				
	*Contact for other wattages		*Contact for custom	*Specify other					

Lens		Light Pattern		Options		Finishes	
OPL	Opal Polycarbonate Lens (Std)	F	Front Light	TP	Tamperproof Hardware	BL	Black
PG	Prismatic Glass Lens			TS	Tamperproof Screwdriver	WH	White
FG	Frosted Glass Lens			SF	Single Fuse	SG	Silver Grey
				WL	Wet Location	BZ	Bronze
				PC	Button Photocell		
				DM	0-10V Dimming		
				DM1	1% Dimming		
						*See finishes brochure for custom	

✦ Lumens are based on Max Wattage and 5000K CCT

Std - Standard Offering

MMRC- _____

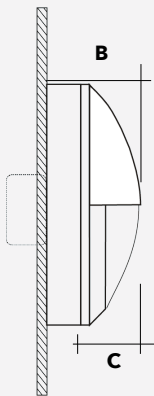
LMRC- _____

Customization Notes:

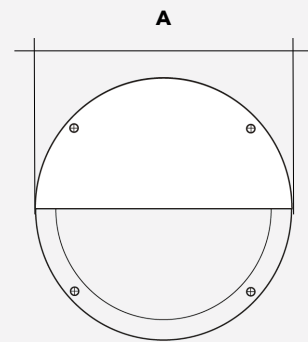
*** Info on this spec sheet will change without notice as product development is an ongoing process.



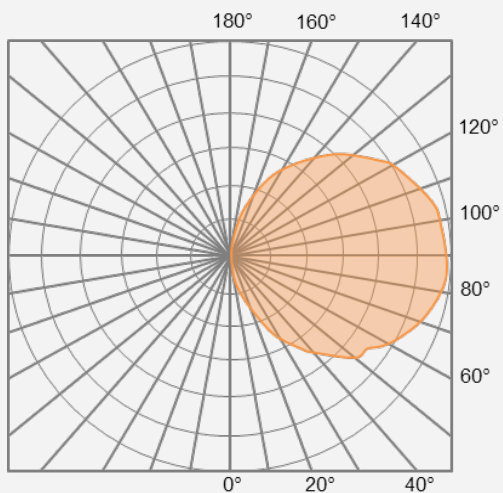
Dimensions & Mounting (drawings are not to scale)



	A	B	C
MMRC	10 1/2"	6 7/8"	4"
LMRC	14"	5"	4"



Polar Graph



Front Light