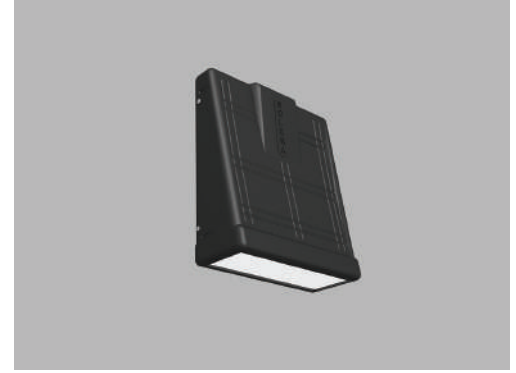




Date
Quote #
Project Name
Type



MINI - Wall Mount

Description:

Cast aluminum housing construction and continuously welded aluminum back box. All external hardware is stainless-steel.

Name - Engine - Lumens - CCT - Electrical - Mounting - Lens - Pattern - Options - Finish

Name	Light Engine	Source Lumens _{(LED)(5000K)}	Color Temp	Electrical
MINI-S	S	12W LED (Max)	626	3000K UNV 120-277V
MINI-L	L	18W LED (Max)	1307	3500K HLV 347-480V 4000K 5000K

Contact for custom

Contact for custom

Contact for custom

Mounting	Lens	Light Pattern	Options	Finishes
WM Wall mount	OPL Opal polycarbonate lens (Std)	FT Forward throw	TP Tamperproof hardware	Standards BL Black
	CPL Clear polycarbonate lens		TS Tamperproof screws	WH White
			EM Emergency battery	SG Silver Grey
			WL Wet location	BZ Bronze
			PC Button photocell	Custom CC Custom Color

See website for custom colors. Contact factory for physical samples.

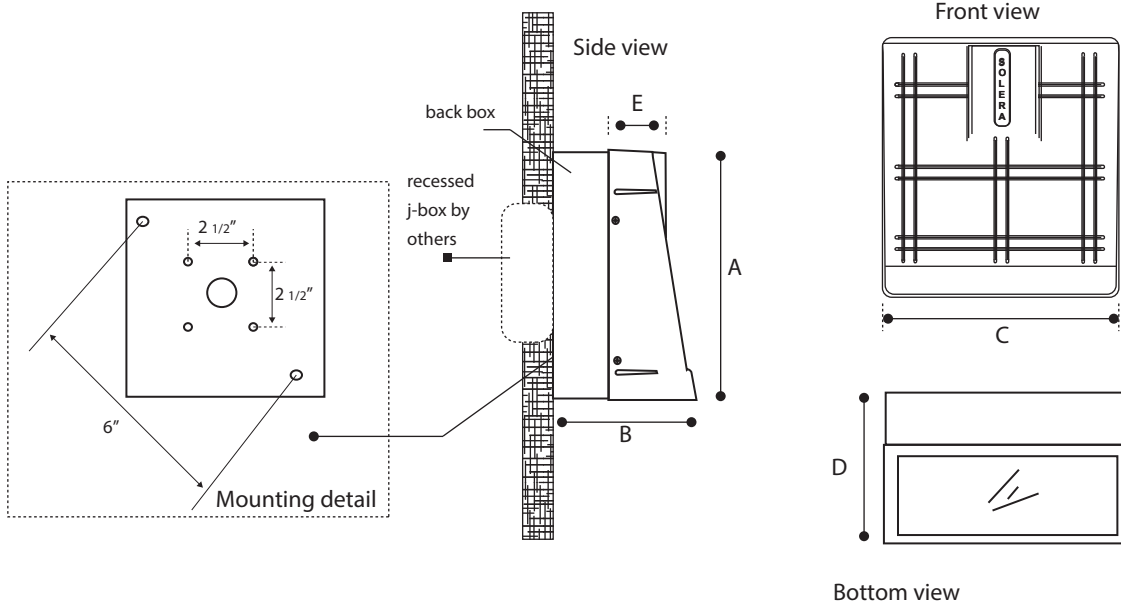
- Lumens are based on max wattage & 5000K CCT
- IES files available upon request
- Std - Standard Offering





Dimensions & Mounting:

Please note that drawings are not to scale.



	A	B	C	D	E
MINI-S	7 1/2"	2 7/16"	5 1/8"	2 7/16"	1 5/8"
MINI-L	7 1/2"	4"	6 3/8"	4"	1 5/8"

Listing:

Complies to CSA and UL standards.

Polar Graph:

