



Date:
Type:
Project:



MINI - WALL MOUNT

DESCRIPTION:

The MINI's lamp and driver housing is made of heavy duty cast aluminum. Optics consists of high purity aluminum reflector.

Name	Lamping		Lumens	Color Temp	Electrical		Mounting	
MINI	S	12W LED (Max)	626	3000K	UNV	120-277V	WM	Wall Mount
	L	18W LED (Max)	1307	4000K	HLV	347-480V		
				5000K				
	*Contact for other wattages		*Contact for custom	*Specify other				

Lens		Light Pattern		Options		Finishes		
OPL	Opal Polycarbonate Lens (Std)	FT	Forward Throw	DM	0-10V Dimming	BL	Black	
CL	Clear Lens			TS	Tamperproof Screwdriver	WH	White	
				PC	Button Photocell	SG	Silver Grey	
				IP65	IP65 Rated Enclosure	BZ	Bronze	
							*See finishes info on website	

✦ Lumens are based on Max Wattage and 5000K CCT

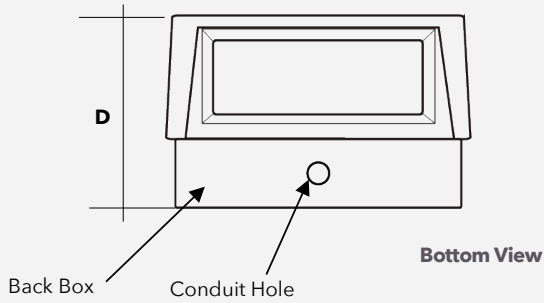
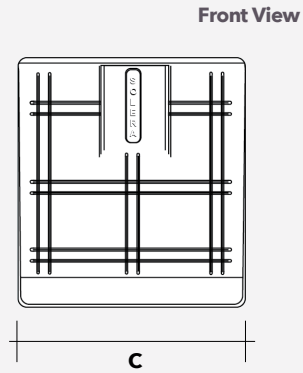
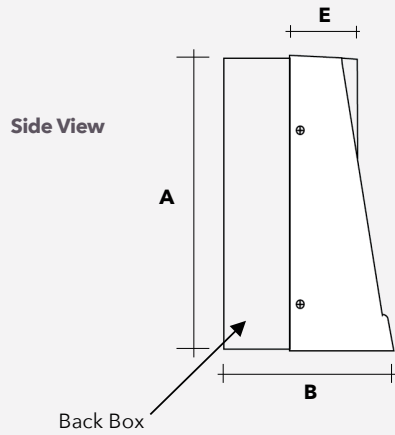
Std - Standard Offering

MINI- _____

Customization Notes:

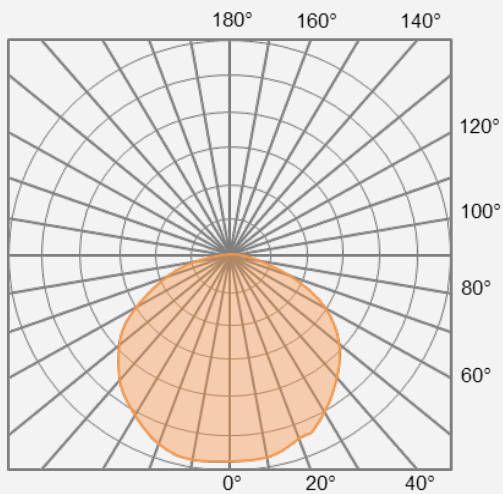
▶▶▶ Info on this spec sheet will change without notice as product development is an ongoing process.

Dimensions & Mounting (drawings are not to scale)



MINI	A	B	C	D	E
MINI-S	7 1/2"	2 7/16"	5 1/8"	2 7/16"	1 5/8"
MINI-L	7 1/2"	4"	5 1/8"	4"	1 5/8"

Polar Graph



Forward Throw