



<b>Date:</b>
<b>Type:</b>
<b>Project:</b>



**LRA - RECESSED**

**DESCRIPTION:**

LRA is designed for step light applications. Made of fabricated aluminum and contains a tempered glass lens which is silicone sealed for weatherproofing.

Name	Lamping	Lumens	Color Temp	Electrical		Mounting	
LRA	12W LED (Max)	2100	3000K	UNV	120-277V	R	Recessed in dry wall
	70 MH		4000K	HLV	347-480V	RTC	Recessed in concrete
	70 HPS		5000K	TT	Tri-Tap (HID)		
				MT	Multi-Tap (HID)		
	*Contact for other wattages	*Contact for custom	*Specify other				

Lens		Light Pattern		Options		Finishes	
PG	Prismatic Glass Lens	FT	Forward Throw	TP	Tamperproof Hardware	BL	Black
				EM	Emergency Battery	WH	White
				DM	0-10V Dimming	SG	Silver Grey
				WL	Wet Location	BZ	Bronze
				SF	Single Fuse		
							*See finishes info on website

✦ Lumens are based on Max Wattage and 5000K CCT

Std - Standard Offering

LRA- \_\_\_\_\_

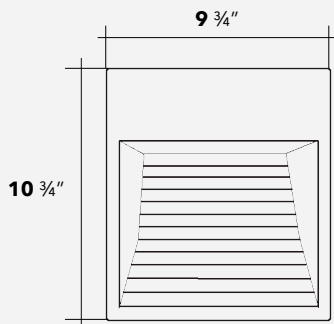
**Customization Notes:**

▶▶▶ Info on this spec sheet will change without notice as product development is an ongoing process.

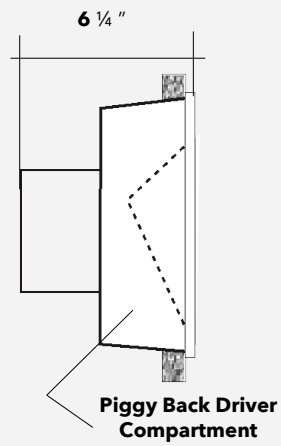


### Dimensions & Mounting (drawings are not to scale)

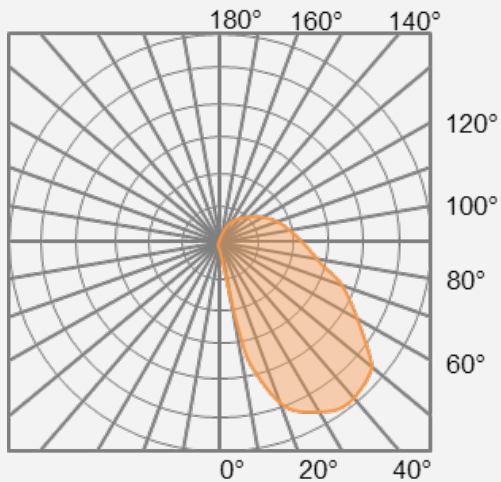
Front View



Side View



### Polar Graph



Forward Throw