



Date:
Type:
Project:



LANERN - POST TOP/POLE MOUNT

DESCRIPTION:

Standard design comes with cast aluminum decorative arms, top access for ease of maintenance, clear UV stabilized optics enclosure and all stainless steel external hardware.

Name	Lamping	Lumens	Color Temp	Electrical		Mounting	
LAN	60W LED (Max)	7800	3000K	UNV	120-277V	PT3	Post top slips inside 3" pole
	150 HPS		4000K	HLV	347-480V	PT4	Post top slips inside 4" pole
	175 MH		5000K	TT	Tri-Tap (HID)		
	PLT57			MT	Multi-Tap (HID)		
	*Contact for other wattages	*Contact for custom	*Specify other				

Lens		Light Pattern		Options		Finishes	
CPL	Clear Polycarbonate Lens (Std)	TY5	Type V (Std)	PC	Button Photocell	BL	Black
OPL	Opal Polycarbonate Lens	TY3	Type III	SF	Single Fuse	WH	White
		TY2	Type II	TP	Tamperproof Hardware	SG	Silver Grey
				GFI	Ground Fault Interrupter	BZ	Bronze
				BA	Banner Arm		
				DH	Decorative Hood		
				HCO	House Side Cutoff		
						*See finishes info on website	

✦ Lumens are based on Max Wattage and 5000K CCT

Std - Standard Offering

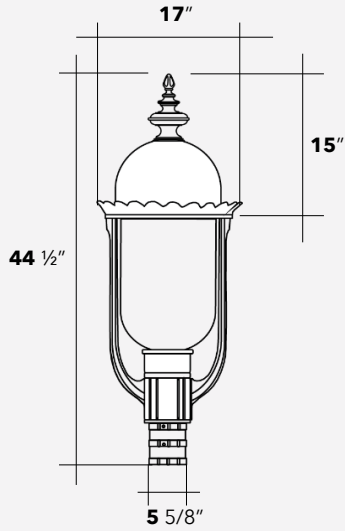
LAN- _____

Customization Notes:

▶▶▶ Info on this spec sheet will change without notice as product development is an ongoing process.



Dimensions & Mounting (drawings are not to scale)



Polar Graph

