



Date
Quote #
Project Name
Type



ING - Ground Recessed

Description:

Multi-piece arrangement where housing is made of fabricated aluminum. Top piece consists of a stainless-steel trim. Recessed J-Box is made of polypropylene.

Name - Engine - Lumens - CCT - Electrical - Mounting - Lens - Pattern - Options - Finish

Name	Light Engine	Source Lumens _{(LED)(5000K)}	Color Temp	Electrical
ING-625	625 24W LED (Max)	3264	3000K	UNV 120-277V
ING-626	626 40W LED (Max)	5859	3500K 4000K 5000K	HLV 347-480V

Mounting		Lens		Light Pattern		Options		Finishes	
IR	In-ground recessed	FG	Frosted glass lens (Std)	NB	Narrow beam	SD	Step dimming	Standard	
		PG	Prismatic glass lens	MB	Medium beam	MS	Motion sensor	SS	Stainless steel
		CG	Clear glass lens	WB	Wide beam	WG	Wire guard	BL	Black
						TP	Tamperproof hardware	WH	White
						TS	Tamperproof screws	SG	Silver Grey
						EM	Emergency battery	BZ	Bronze
						GS	Glare shield	CC	Custom Color
								See website for custom colors. Contact factory for physical samples.	

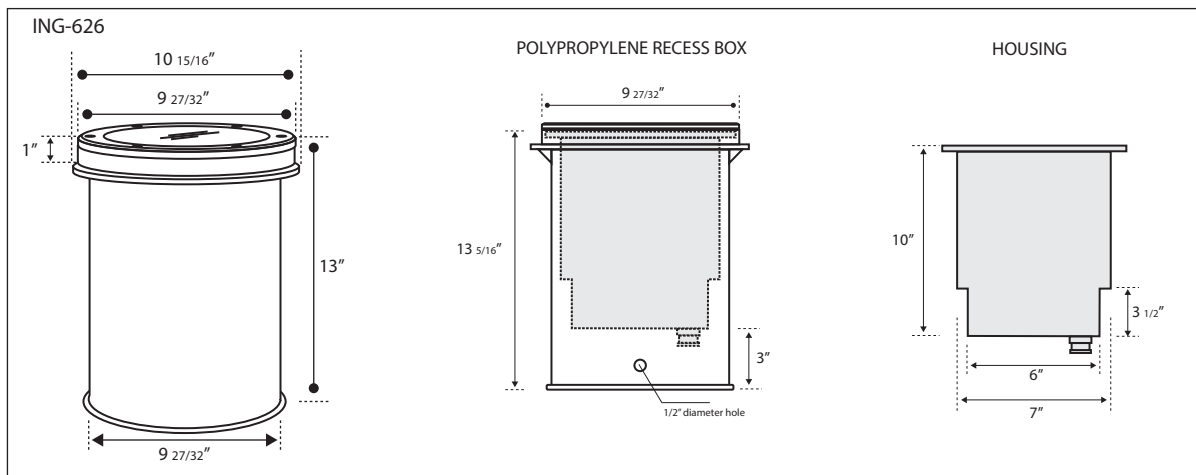
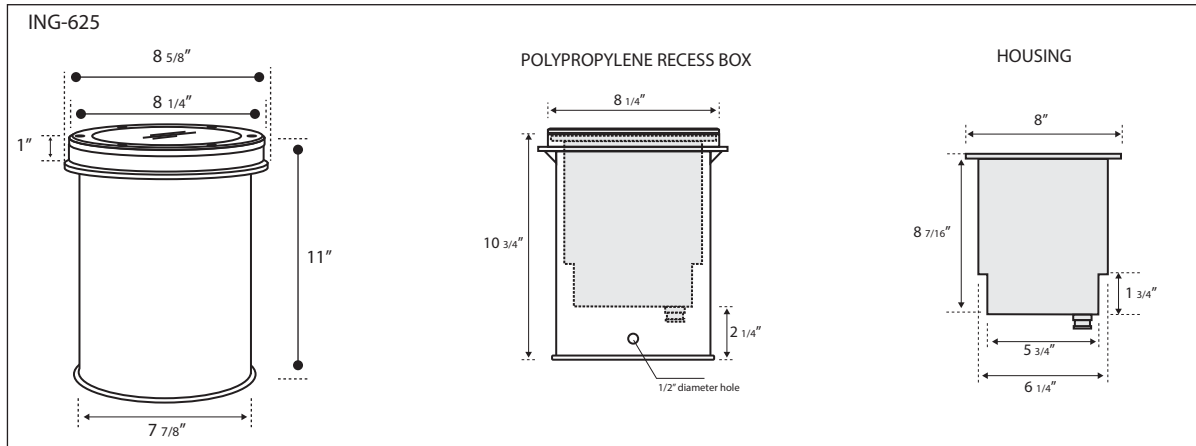
- Lumens are based on max wattage & 5000K CCT
- IES files available upon request
- Std - Standard Offering





Dimensions & Mounting:

Please note that drawings are not to scale.



Listing:

Complies to CSA and UL standards.

Polar Graph:

