



Date
Quote #
Project Name
Type



GSC- Wall Mount

Description:

The housing is made from precision molded die-cast aluminum. The back plate (0.124" thick) works as a heat sink for electrical components.

Name - Engine - Lumens - CCT - Electrical - Mounting - Lens - Pattern - Options - Finish

Name	Light Engine	Source Lumens _{(LED)(5000K)}	Color Temp	Electrical
GSC	48W LED (Max)	6240	3000K	UNV 120-277V
	150 MH		3500K	HLV 347-480V
	175MH		4000K	TT Tri-Tap(HID)
	2PLT57		5000K	MT Multi-Tap(HID)

Contact for custom

Contact for custom

Contact for custom

Mounting	Lens	Light Pattern	Options	Finishes
WM Wall mount	CG Clear glass lens (Std)	D Down light (Std)	PC Button photocell	Standard
		UD Up and down light	AEL Quartz restrike	BL Black
	FG Frosted glass lens		RB Remote ballast/driver	WH White
	OPL Opal polycarbonate lens		EM Emergency battery	SG Silver Grey
		WL Wet location		BZ Bronze
			TP Tamperproof hardware	Custom
				CC Custom Color

See website for custom colors.
 Contact factory for physical samples.

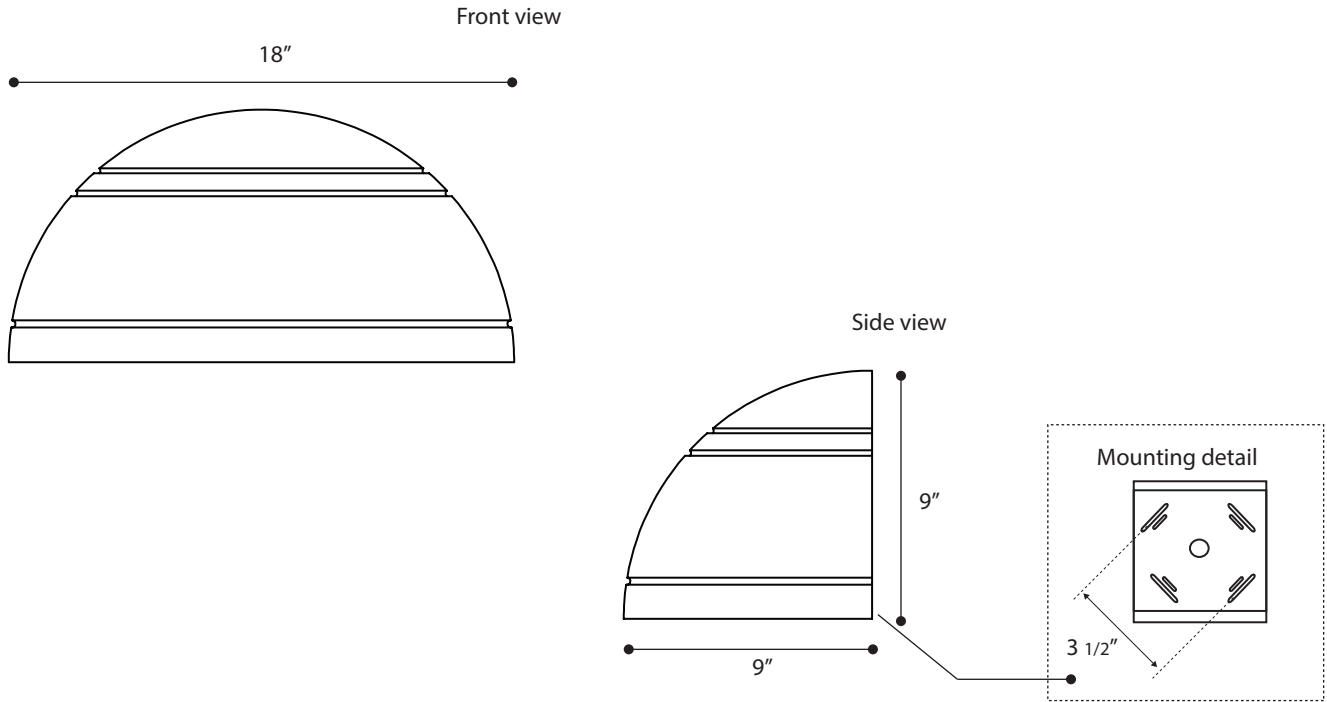
- Lumens are based on max wattage & 5000K CCT
- IES files available upon request
- Std - Standard Offering





Dimensions & Mounting:

Please note that drawings are not to scale.



Listing:

Complies to CSA and UL standards.

Polar Graph:

