

<b>Date:</b>
<b>Type:</b>
<b>Project:</b>



**GSC - WALL MOUNT**

**DESCRIPTION:**

The housing is made from precision molded die cast aluminum. The 0.125" thick back plate works as a heat sink for the electrical components.

Name	Lamping	Lumens	Color Temp	Electrical		Mounting	
GSC	48W LED	6240	3000K	UNV	120-277V	WM	Wall Mount
	150MH		4000K	HLV	347-480V		
	175MH		5000K	TT	Tri-Tap (HID)		
	2PLT57			MT	Multi-Tap (HID)		
	*Contact for other wattages	*Contact for custom	*Specify other				

Lens		Light Pattern		Options		Finishes	
CG	Clear Glass Lens (Std)	D	Down Light (Std)	PC	Button Photocell	BL	Black
FG	Frosted Glass Lens			AEL	Quartz Restrike	WH	White
OPL	Opal Polycarbonate Lens			RB	Remote Ballast/Driver	SG	Silver Gray
				EM	Emergency Battery	BZ	Bronze
				DCO	Dark Sky Cut Off		
							*See finishes brochure for custom

✦ Lumens are based on Max Wattage and 5000K CCT

Std - Standard Offering

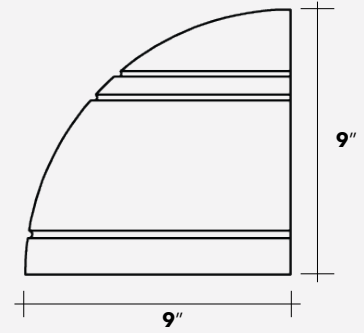
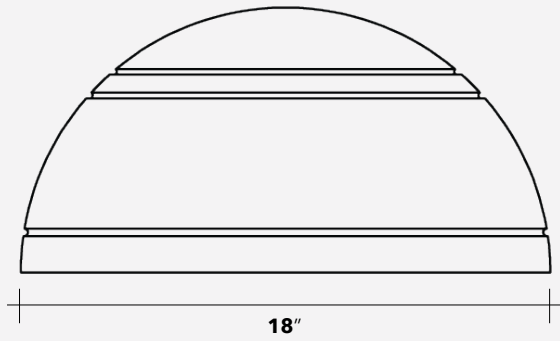
GSC - \_\_\_\_\_

**Customization Notes:**

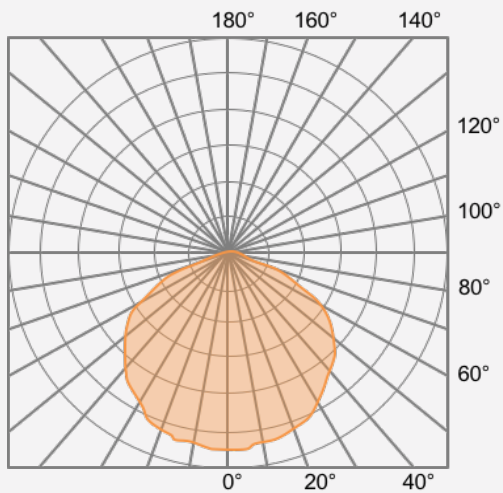
»» Info on this spec sheet will change without notice as product development is an ongoing process.



### Dimensions & Mounting (drawings are not to scale)



### Polar Graph



Down Light