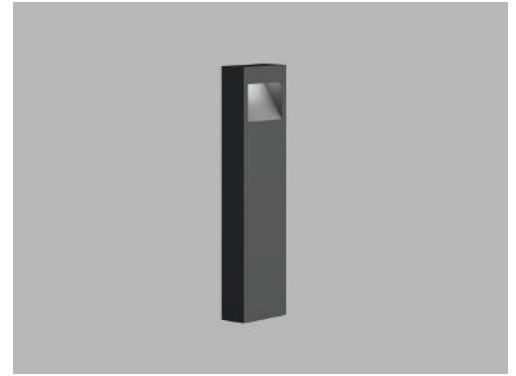




Date
Quote #
Project Name
Type



GROTTO - Bollard

Description:

Aluminum housing construction with silicone sealed gasketing for full weatherproof protection. All external hardware is stainless-steel.

Name	Engine	Lumens	CCT	Electrical	Mounting	Lens	Pattern	Options	Finish
<input type="text"/>	<input type="text"/>	<input type="text"/>	<input type="text"/>	<input type="text"/>	<input type="text"/>	<input type="text"/>	<input type="text"/>	<input type="text"/>	<input type="text"/>

Name	Light Engine	Source Lumens _{(LED)(5000K)}	Color Temp	Electrical
GROTTO	12W LED (Max)	1560	3000K	UNV 120-277V
			3500K	HLV 347-480V
			4000K	
			5000K	

Mounting		Lens		Light Pattern		Options		Finishes	
Contact for custom		Contact for custom		Contact for custom					
ABT	Anchor, bolts & template	CG	Clear glass lens (Std)	FT	Forward throw (Std)	MS	Motion sensor	Standard	
DB	Direct burial (contact factory)	CPL	Clear polycarbonate lens			SD	Step dimming	BL	Black
						TP	Tamperproof hardware	WH	White
						TS	Tamperproof screws	SG	Silver Grey
						PC	Button photocell	BZ	Bronze
						SF	Single fuse	CC	Custom Color
					GFR	Ground fault receptacle	See website for custom colors. Contact factory for physical samples.		

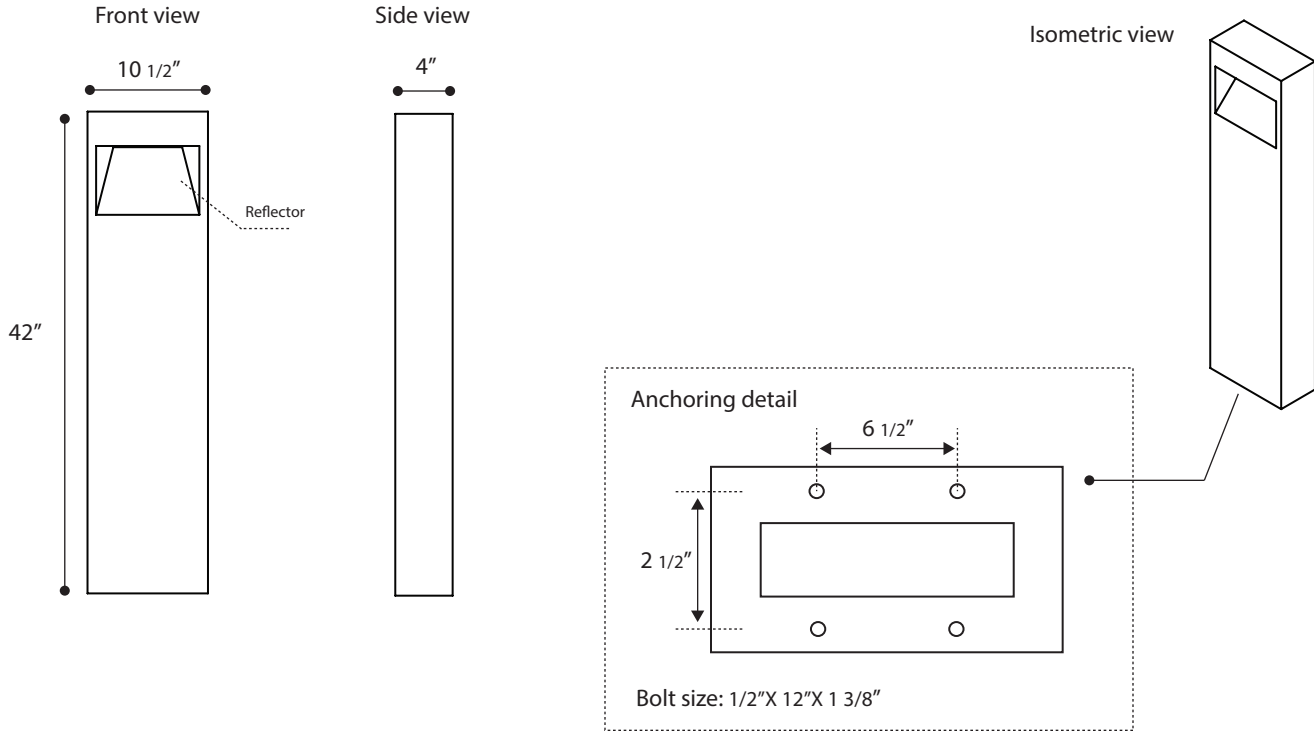
- Lumens are based on max wattage & 5000K CCT
- IES files available upon request
- Std - Standard Offering





Dimensions & Mounting:

Please note that drawings are not to scale.



Listing:

Complies to CSA and UL standards.

Polar Graph:

