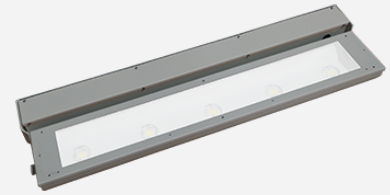




**Date:**

**Type:**

**Project:**



**FIN1X - WALL MOUNT**

**DESCRIPTION:**

This custom designed luminaire is housed with heavy duty die cast aluminum and designed with an integrated cooling structure.

Name	Lamping	Lumens	Color Temp	Electrical		Mounting	
FIN 1X	200W LED (Max)	24755	3000K	UNV	120-277V	WM	Wall Mount
			4000K	HLV	347-480V	YM	Adjustable Yoke Mount
			5000K				
	*Contact for other wattages	*Contact for custom	*Specify other				

Lens		Light Pattern		Options		Finishes	
CG	Clear Glass Lens (Std)	INU	Indirect Up Light	DM	0-10V Dimming	BL	Black
FG	Frosted Glass Lens			DM1	1% Dimming	WH	White
				VS	Visor Cut Off	SG	Silver Grey
				WL	Wet Location	BZ	Bronze
				ADJ	30° Adjustable Housing	NAT	Natatorium
						*See finishes info on website	

✦ Lumens are based on Max Wattage and 5000K CCT

Std - Standard Offering

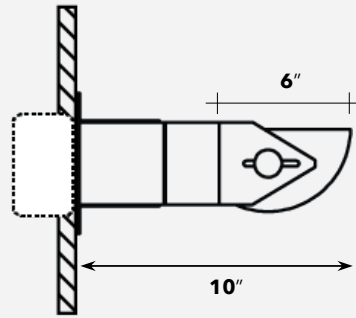
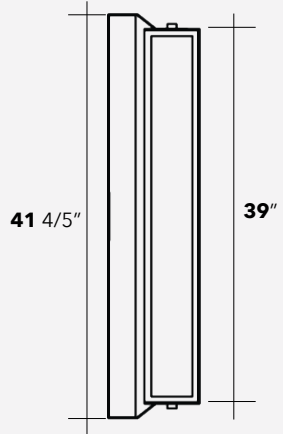
FIN 1X - \_ \_ \_ \_ \_

**Customization Notes:**

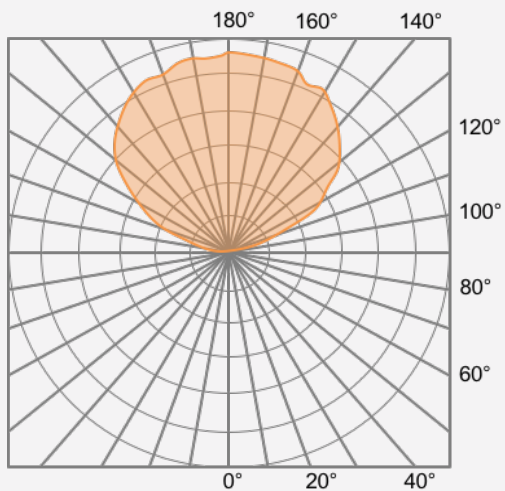
▶▶▶ Info on this spec sheet will change without notice as product development is an ongoing process.



### Dimensions & Mounting (drawings are not to scale)



### Polar Graph



Indirect Up Light