

Date:
Type:
Project:



ERB - POST TOP/POLE MOUNT

DESCRIPTION:

Featuring a flat disc hood and louvered optical assembly. Window above disc provides subtle glow of light for visual interest. All external hardware is made of stainless steel.

Name	Lamping	Lumens	Color Temp	Electrical		Mounting	
ERB-PT	60W LED (Max)	7800	3000K	UNV	120-277V	PT4	Post top slips inside 4" pole
	150HPS		4000K	HLV	347-480V		
	175MH		5000K	TT	Tri-Tap(HID)		
				MT	Multi-Tap (HID)		
	*Contact for other wattages	*Contact for custom	*Specify other				

Lens		Light Pattern		Options		Finishes	
CAL	Clear Acrylic Lens (Std)	TY5	Type V (Std)	DM	0-10V Dimming	BL	Black
OAL	Opal Acrylic Lens	TY3	Type III	TP	Tamperproof Hardware	WH	White
				ELB	Electronic Ballast (HID)	SG	Silver Grey
				PC	Button Photocell	BZ	Bronze
				RG	Ring Options		
				LVR	Louvers		
				HCO	House Side Cutoff		
						*See finishes brochure for custom	

✦ Lumens are based on Max Wattage and 5000K CCT

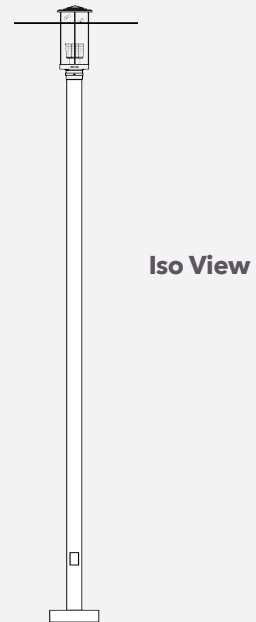
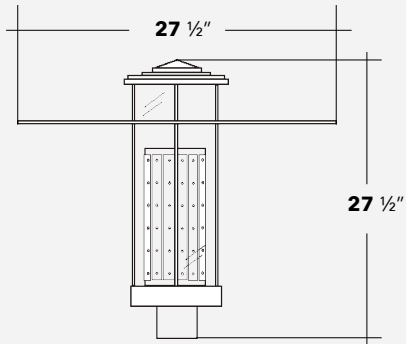
Std - Standard Offering

ERB-PT- _____ - _____ - _____ - _____ - _____ - _____ - _____ - _____

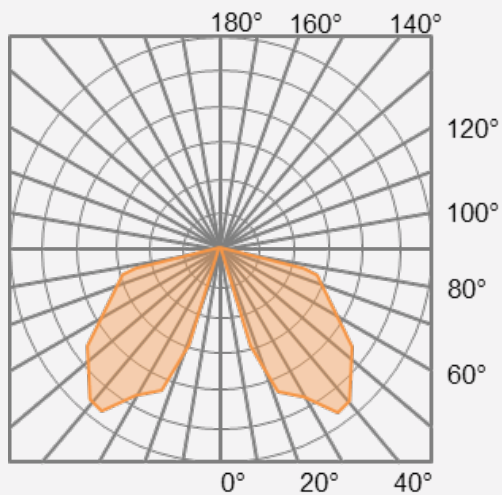
Customization Notes:

▶▶▶ Info on this spec sheet will change without notice as product development is an ongoing process.

Dimensions & Mounting (drawings are not to scale)



Polar Graph



TYPE V