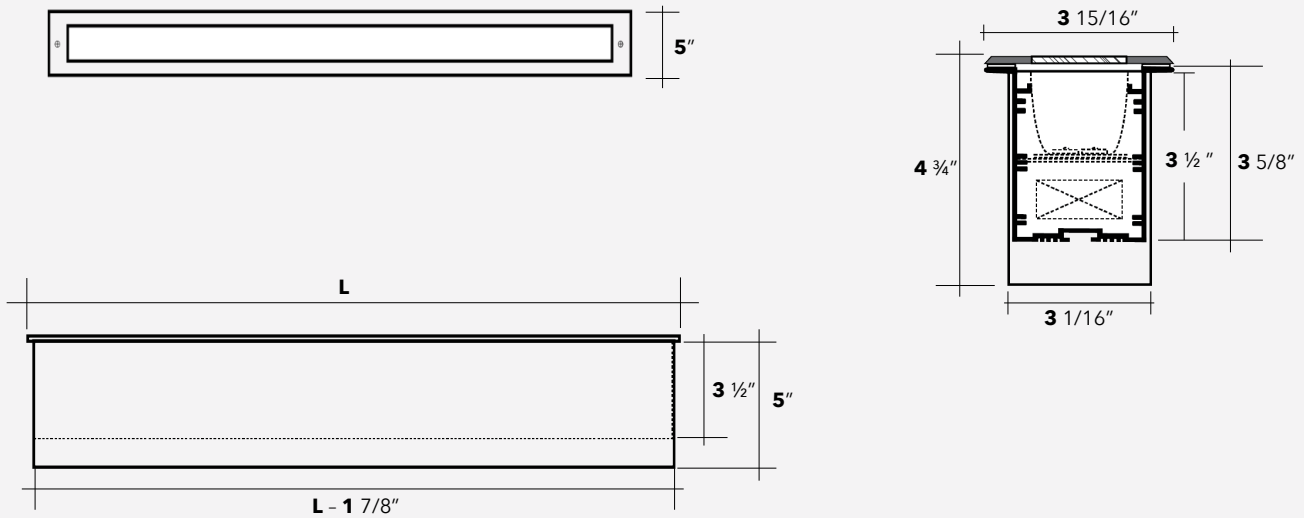
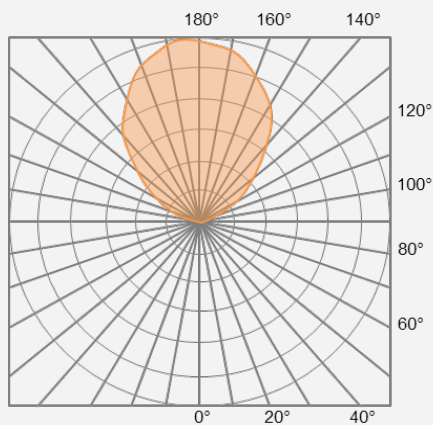


Dimensions & Mounting (Drawings are not to scale)



Polar Graph

Symmetric



Asymmetric

