



Date:
Type:
Project:



DIX - BOLLARD

DESCRIPTION:

Constructed of aluminum housing. Silicone sealed gasketing for weather protection. Standard is monotone colored, optionally available with Metal Composite Material panels.

Name	Lamping	Lumens	Color Temp	Electrical		Mounting	
DIX-B	12W LED (Max)	2112	3000K	UNV	120-277V	ABT	Anchors, Bolts & Template
			4000K	HLV	347-480V		
			5000K	TT	Tri-Tap (HID)		
				MT	Multi-Tap (HID)		
	*Contact for other wattages	*Contact for custom	*Specify other				

Lens		Light Pattern		Options		Finishes	
OPL	Opal Polycarbonate Lens (Std)	FT	Forward Throw	TP	Tamperproof Hardware	BL	Black
				TS	Tamperproof Screwdriver	WH	White
				DM	0-10V Dimming	SG	Silver Grey
				PC	Button Photocell	BZ	Bronze
				SF	Single Fuse	MCM	Metal Composite Material
				HCO	House Side Cutoff		
						*See finishes info on website	

✦ Lumens are based on Max Wattage and 5000K CCT

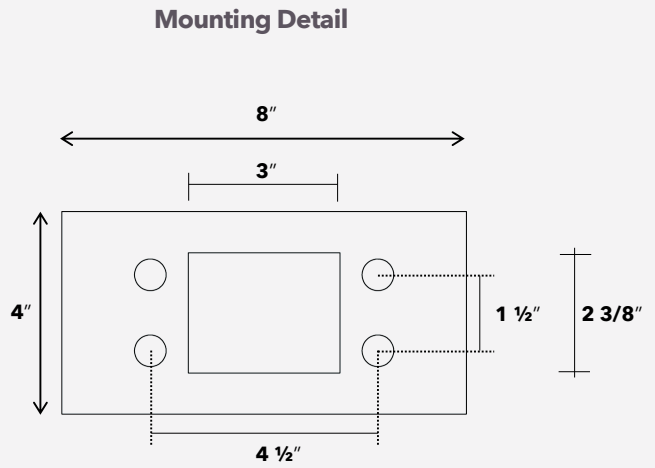
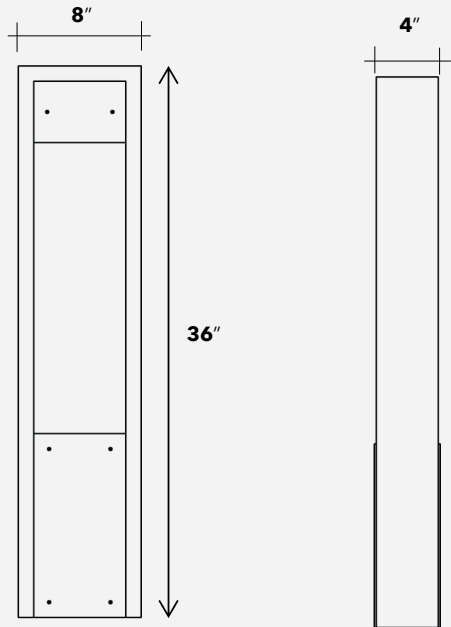
Std - Standard Offering

DIX-B - _____

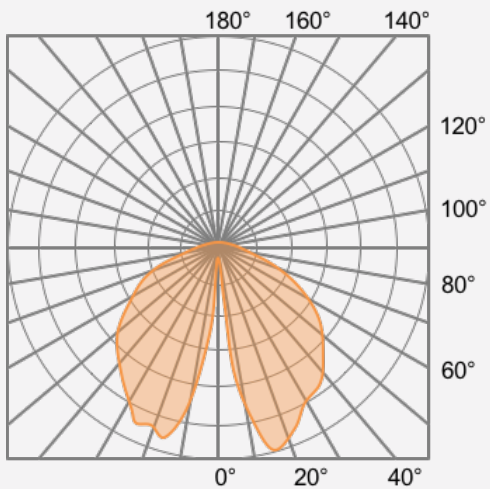
Customization Notes:

▶▶▶ Info on this spec sheet will change without notice as product development is an ongoing process.

Dimensions & Mounting (drawings are not to scale)



Polar Graph



Forward Throw