

Date:
Type:
Project:



DISCUSS - PENDANT

DESCRIPTION:

Perforated aluminum dish is standard (option of specifying with an acrylic overlay gives the look of high-tech chandelier).

Name	Lamping		Lumens	Color Temp		Electrical	Mounting	
DISCUSS	SDS-30	45W LED (Max) 175 MH 100 PAR38 54T5	7034	3000K	UNV	120-277V	R1	48" stem, (std for SDS-30)
				4000K	HLV	347-480V	R2	2X48" stem, (std for SDS-60)
				5000K	TT	Tri-Tap (HID)	R3	Cluster of 3
	SDS-60	45W LED (Max) 400 MH 400CMH-ED18 4CFL42	7034		MT	Multi-Tap (HID)	R4	Cluster of 4
*Contact for other wattages				*Specify other			*Contact for other lengths	

Lens		Light Pattern		Options		Finishes		
OAL	Opal Acrylic Lens	D	Down Light (Std)	DM	0-10V Dimming	BL	Black	
CGL	Color Glow Lens	UD	Up & Down Light	DM1	1% Dimming	WH	White	
				AEL	Quartz Restrike	SG	Silver Grey	
				RB	Remote Ballast/Driver	BZ	Bronze	
				SV	Swivel Canopy			
				BS	Bug Shield			
				ELB	Electronic Ballast (HID)			
							*See finishes info on website	

✦ Lumens are based on Max Wattage and 5000K CCT

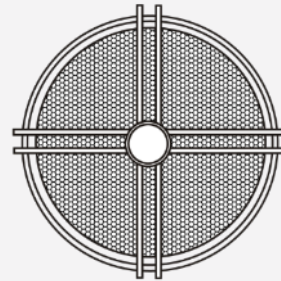
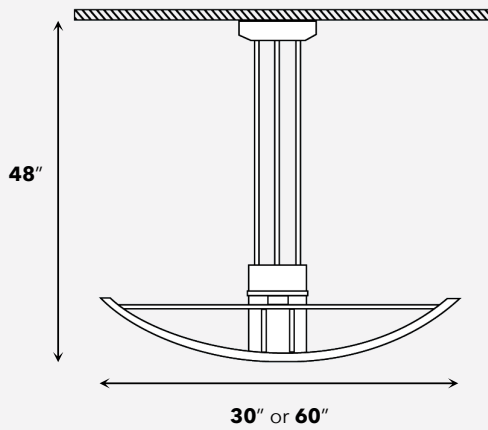
Std - Standard Offering

DISCUSS- _____

Customization Notes:

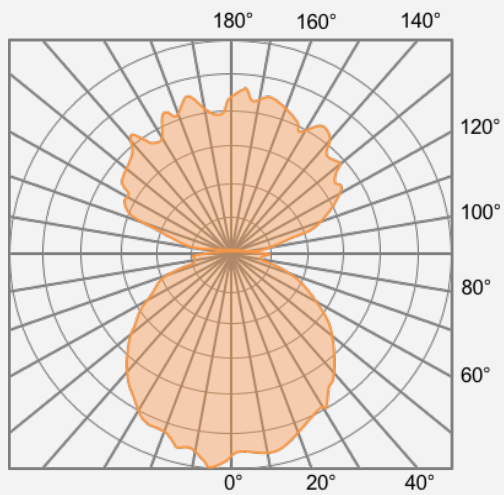
▶▶▶ Info on this spec sheet will change without notice as product development is an ongoing process.

Dimensions & Mounting (drawings are not to scale)



Bottom View

Polar Graph



Up and Down Light