



<b>Date:</b>
<b>Type:</b>
<b>Project:</b>



**DGR-PM - POLE MOUNT/POST TOP**

**DESCRIPTION:**

Fabricated aluminum housing construction. Lens panels are silicone sealed to the housing and reinforced with metal brackets.

Name	Lamping	Lumens	Color Temp	Electrical		Mounting	
DGR-PM	60 LED (Max)	7800	3000K	UNV	120-277V	PT3	Post top slips over 3" pole
			4000K	HLV	347-480V		
			5000K				
	*Contact for other wattages	*Contact for custom	*Specify other				

Lens		Light Pattern		Options		Finishes	
OPL	Opal Polycarbonate Lens (Std)	TY5	Type V (Std)	TP	Tamperproof Hardware	BL	Black
CPL	Clear Polycarbonate Lens	TY3	Type III	TS	Tamperproof Screwdriver	WH	White
				SF	Single Fuse	SG	Silver Grey
				DM	0-10V Dimming	BZ	Bronze
				PC	Button Photocell		
				HCO	House Side Cutoff		
				GFR	Ground Fault Receptacle		
				ELB	Electronic HID Ballast		
						*See finishes brochure for custom	

✦ Lumens are based on Max Wattage and 5000K CCT

Std - Standard Offering

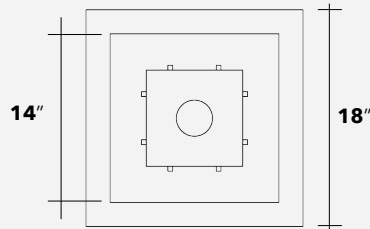
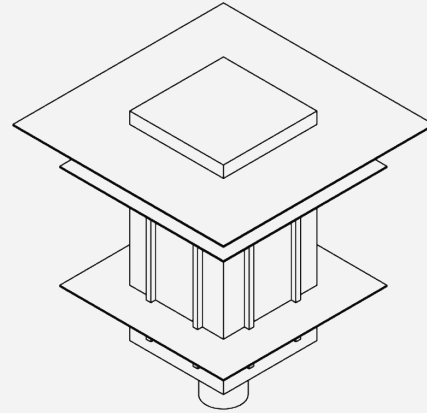
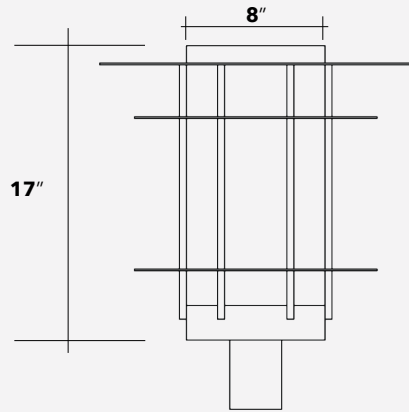
DGR-PM - \_\_\_\_\_

**Customization Notes:**

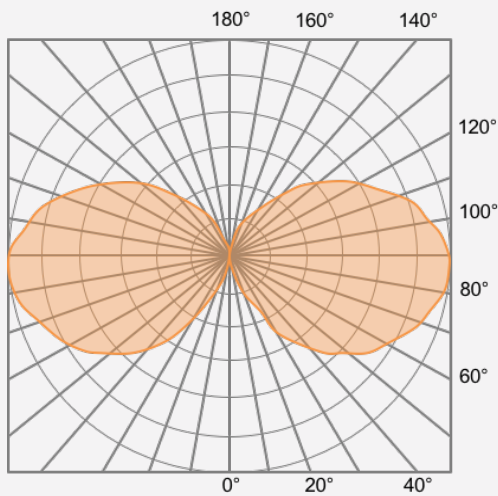
➤➤➤ Info on this spec sheet will change without notice as product development is an ongoing process.



### Dimensions & Mounting (drawings are not to scale)



### Polar Graph



**TYPE V**