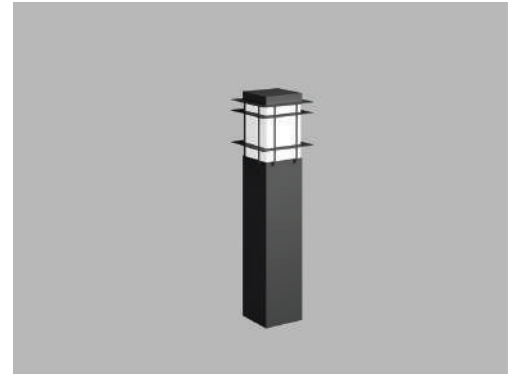




Date
Quote #
Project Name
Type



## DGR-B - Bollard

### Description:

DGR is a lantern series consisting of bollards, post tops and wall mounts. Its contemporary makes it ideal for pedestrian walkways.

Name  - Engine  - Lumens  - CCT  - Electrical  - Mounting  - Lens  - Pattern  - Options  - Finish

Name	Light Engine	Source Lumens <sub>(LED)(5000K)</sub>	Color Temp	Electrical
DGR-B	48 LED (Max)	6244	3000K	UNV 120-277V
	100MH		3500K	HLV 347-480V
	100 HPS		4000K	TT Tri-Tap(HID)
	18 LPS		5000K	MT Multi-Tap(HID)
	2PLT42			
	Contact for custom	Contact for custom	Contact for custom	

Mounting	Lens	Light Pattern	Options	Finishes
ABT Anchors, bolts and template	OAL Opal acrylic lens (Std)	TY5 Type V(Std)	MS Motion sensor	Standard
		TY3 Type III	SD Step dimming	BL Black
		180 180 degrees	TP Tamperproof hardware	WH White
			TS Tamperproof screws	SG Silver Grey
			PC Button photocell	BZ Bronze
			SF Single fuse	Custom
			GFR Ground fault receptacle	CC Custom Color
			ELB Electronic HID ballast	See website for custom colors. Contact factory for physical samples.

- Lumens are based on max wattage & 5000K CCT
- IES files available upon request
- Std - Standard Offering

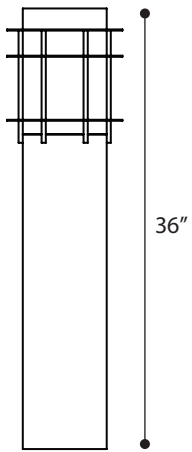




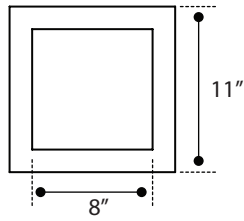
**Dimensions & Mounting:**

Please note that drawings are not to scale.

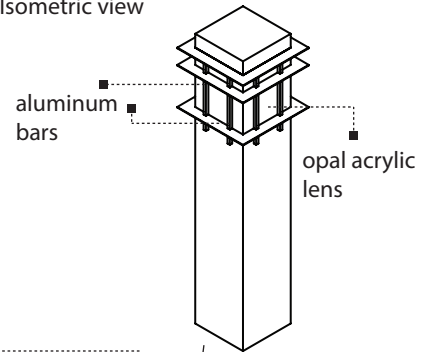
Side view



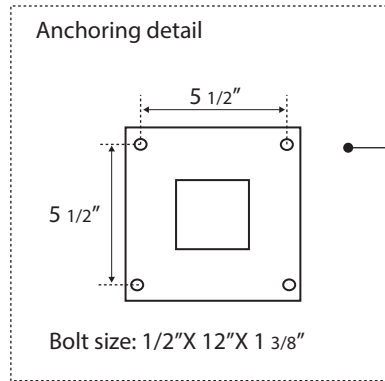
Top view



Isometric view



Anchoring detail



**Listing:**

Complies to CSA and UL standards.

**Polar Graph:**

TY5

