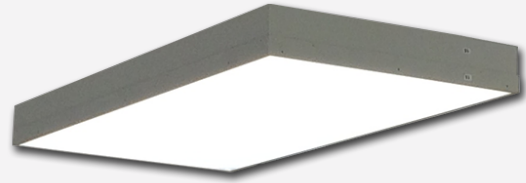




<b>Date:</b>
<b>Type:</b>
<b>Project:</b>



### CUBE-II - PENDANT

**DESCRIPTION:**

Extruded aluminum housing with heat sinks.  
Satinice lens with matte velvet texture.

Name	Lamping	Lumens	Color Temp	Electrical		Mounting	
CUBE-II	230 LED (Max)	40840	3000K	UNV	120-277V	4AC48	4 X 48" Aircraft Cables
			4000K	HLV	347-480V		
			5000K				
	*Contact for other wattages	*Contact for custom	*Specify other				

Lens		Light Pattern		Options		Finishes		
STN	Satinice Lens (Std)	D	Down Light	DM	0-10V Dimming	BL	Black	
				DM1	1% Dimming	WH	White	
						SG	Silver Grey	
						BZ	Bronze	
							*See finishes info on website	

✦ Lumens are based on Max Wattage and 5000K CCT

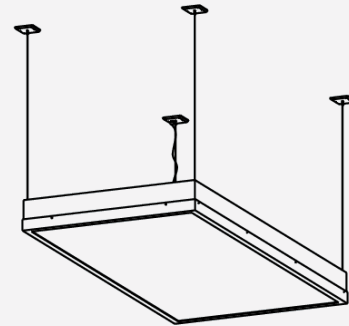
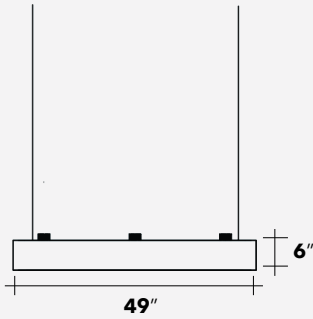
Std - Standard Offering

CUBE-II- \_\_\_\_\_

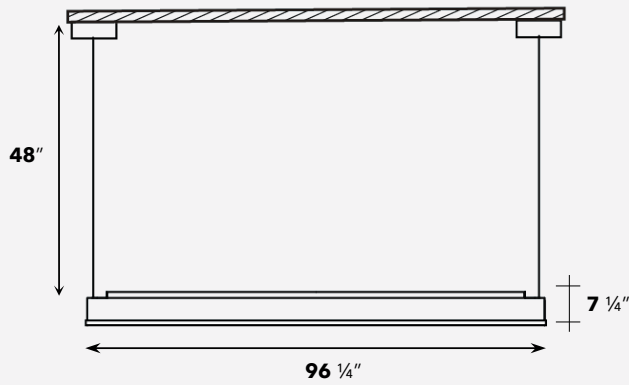
**Customization Notes:**

\*\*\* Info on this spec sheet will change without notice as product development is an ongoing process.

### Dimensions & Mounting (drawings are not to scale)



ISO View



### Polar Graph

