



Date:
Type:
Project:



CSX/CST - WALL MOUNT

DESCRIPTION:

Die-cast aluminum housing. Hinged door cover. Clear lens is standard. All external hardware is stainless steel.

Name	Lamping	Lumens	Color Temp	Electrical		Mounting	
CSX	48 LED (Max)	6240	3000K	UNV	120-277V	WM	Wall Mount
CST	84 LED (Max)	10920	4000K	HLV	347-480V		
			5000K				
	*Contact for other wattages	*Contact for custom	*Specify other				

Lens		Light Pattern		Options		Finishes	
CPL	Clear Polycarbonate Lens (Std)	D	Down Light	TP	Tamperproof Hardware	BL	Black
FG	Frosted Glass Lens			TS	Tamperproof Screwdriver	WH	White
CG	Clear Glass Lens			PC	Button Photocell	SG	Silver Grey
				DM	0-10V Dimming	BZ	Bronze
				SF	Single Fuse		
				EM	Emergency Battery		
				DCO	Dark Sky Cutoff		
						*See finishes info on website	

✦ Lumens are based on Max Wattage and 5000K CCT

Std - Standard Offering

CSX- _____ - _____ - _____ - _____ - _____ - _____ - _____ - _____

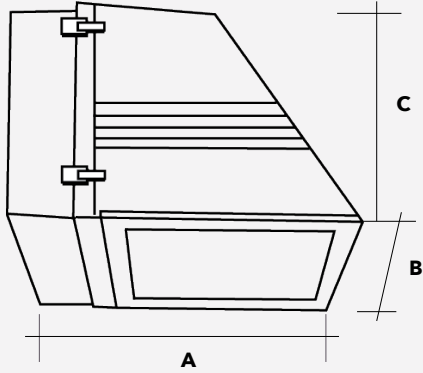
CST- _____ - _____ - _____ - _____ - _____ - _____ - _____ - _____

Customization Notes:

▶▶▶ Info on this spec sheet will change without notice as product development is an ongoing process.



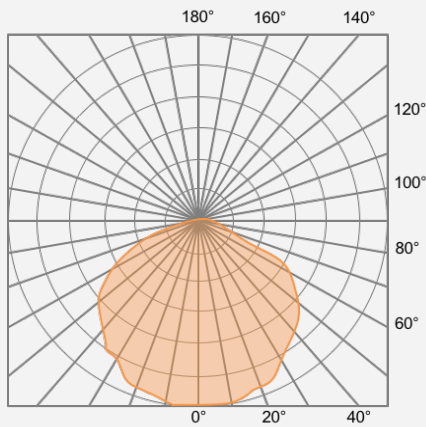
Dimensions & Mounting (drawings are not to scale)



	A	B	C
CSX	11 1/2"	14 3/8"	8 3/4"
CST	13 3/4"	18	8 3/4"

Polar Graph

CST



CSX

