



<b>Date:</b>
<b>Type:</b>
<b>Project:</b>



**CSP 1 - WALL MOUNT**

**DESCRIPTION:**

Exterior comprises of heavy gauge aluminum ballast housing and die-cut aluminum rings with a cylindrical tempered glass lens.

Name	Lamping	Lumens	Color Temp	Electrical		Mounting	
CSP1	42W LED (Max)	5462	3000K	UNV	120-277V	WM	Wall Mount
	175 MH		4000K	HLV	347-480V		
	42 CFL		5000K	TT	Tri-Tap (HID)		
				MT	Multi-Tap (HID)		
	*Contact for other wattages	*Contact for custom	*Specify other				

Lens		Light Pattern		Options		Finishes	
RGC	Ribbed Glass Cylinder (Std)	EG	Encompassing Glow	TP	Tamperproof Hardware	BL	Black
CGB	Clear Glass Bullet			TS	Tamperproof Screwdriver	WH	White
OGB	Opal Glass Bullet			DM	0-10V Dimming	SG	Silver Grey
				SF	Single Fuse	BZ	Bronze
				PC	Button Photocell		
							*See finishes info on website

✦ Lumens are based on Max Wattage and 5000K CCT

Std- Standard Offering

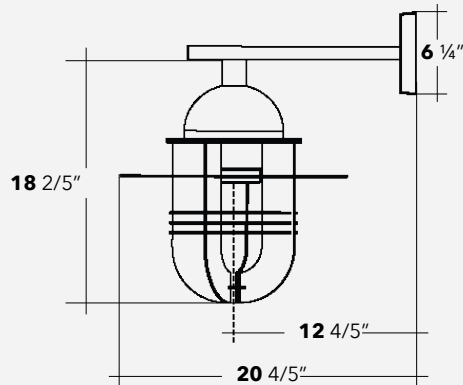
CSP-1- \_\_\_\_\_

**Customization Notes:**

▶▶▶ Info on this spec sheet will change without notice as product development is an ongoing process.

## Dimensions & Mounting (drawings are not to scale)

### Wall Mount



### Polar Graph

