



<b>Date:</b>
<b>Type:</b>
<b>Project:</b>



**CMSQ - WALL MOUNT**

**DESCRIPTION:**

Corrosion resistant, die cast aluminum housing. IP65 rated with silicone gasket.

Name	Lamping	Lumens	Color Temp	Electrical		Mounting	
CMSQ	60 LED (Max)	7800	3000K	UNV	120-277V	WM	Wall Mount
	70MH		4000K	HLV	347-480V		
	2CFL42		5000K	TT	Tri-Tap (TT)		
				MT	Multi-Tap (MT)		
	*Contact for other wattages	*Contact for custom	*Specify other				

Lens		Light Pattern		Options		Finishes	
OPL	Opal Polycarbonate Lens	F	Front Light	ELB	Electronic HID Ballast	BL	Black
				AEL	Quartz restrike	WH	White
				MEL	Quartz restrike	SG	Silver Grey
				SF	Single Fuse	BZ	Bronze
				PC	Button Photocell		
							*See finishes info on website

✦ Lumens are based on Max Wattage and 5000K CCT

Std - Standard Offering

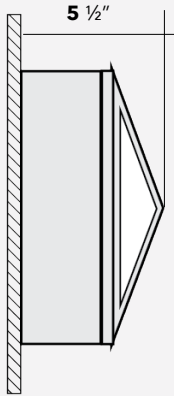
CMSQ- \_\_\_\_\_ - \_\_\_\_\_ - \_\_\_\_\_ - \_\_\_\_\_ - \_\_\_\_\_ - \_\_\_\_\_ - \_\_\_\_\_ - \_\_\_\_\_

**Customization Notes:**

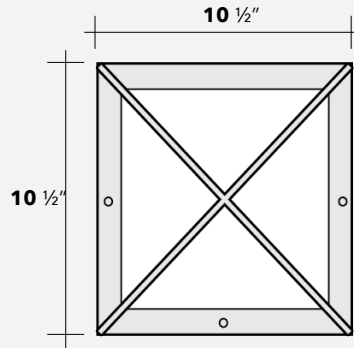
▶▶▶ Info on this spec sheet will change without notice as product development is an ongoing process.



### Dimensions & Mounting (drawings are not to scale)

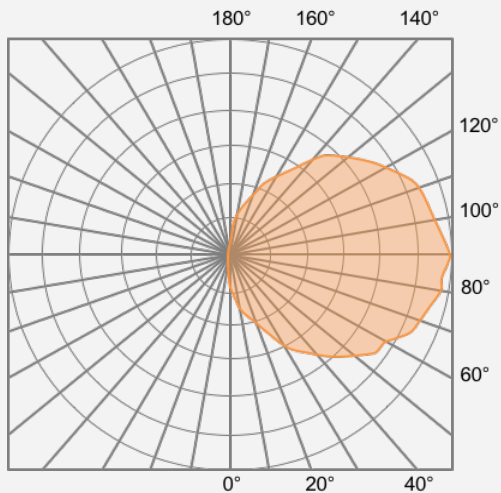


Side View



Front View

### Polar Graph



Front Light