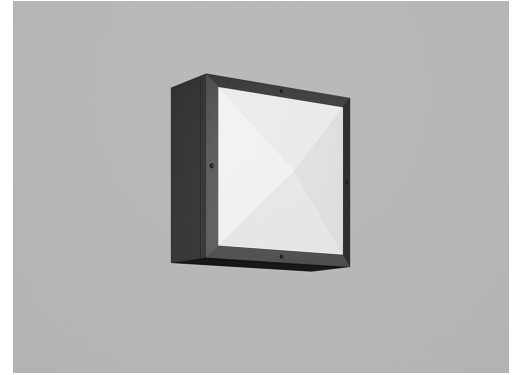




|              |
|--------------|
| Date         |
| Quote #      |
| Project Name |
| Type         |



### CMAQ - Wall Mount

**Description:**

Die cast aluminum housing with a full face pyramid lens.

Name  - Engine  - Lumens  - CCT  - Electrical  - Mounting  - Lens  - Pattern  - Options  - Finish

| Name | Light Engine | Source Lumens <sub>(LED)(5000K)</sub> | Color Temp        | Electrical   |
|------|--------------|---------------------------------------|-------------------|--------------|
| CMAQ | 60 LED (Max) | 2909                                  | 3000K             | UNV 120-277V |
|      | 70 MH        |                                       | 3500K             | HLV 347-480V |
|      | 2CFL42       | 4000K                                 | TT Tri-Tap(HID)   |              |
|      |              | 5000K                                 | MT Multi-Tap(HID) |              |

Contact for custom

Contact for custom

Contact for custom

| Mounting      | Lens                              | Light Pattern | Options                 | Finishes        |
|---------------|-----------------------------------|---------------|-------------------------|-----------------|
| WM Wall mount | OPL Opal polycarbonate lens (Std) | F Front light | PC Button photocell     | Standard        |
|               |                                   |               | SF Single fuse          | BL Black        |
|               |                                   |               | TP Tamperproof hardware | WH White        |
|               |                                   |               | TS Tamperproof screws   | SG Silver Grey  |
|               |                                   |               | WL Wet location         | BZ Bronze       |
|               |                                   |               |                         | Custom          |
|               |                                   |               |                         | CC Custom Color |

See website for custom colors.  
 Contact factory for physical samples.

- Lumens are based on max wattage & 5000K CCT
- IES files available upon request
- Std - Standard Offering

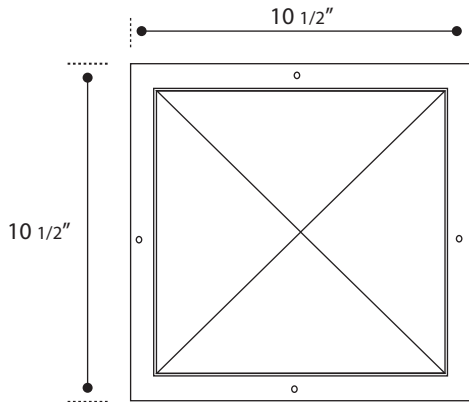




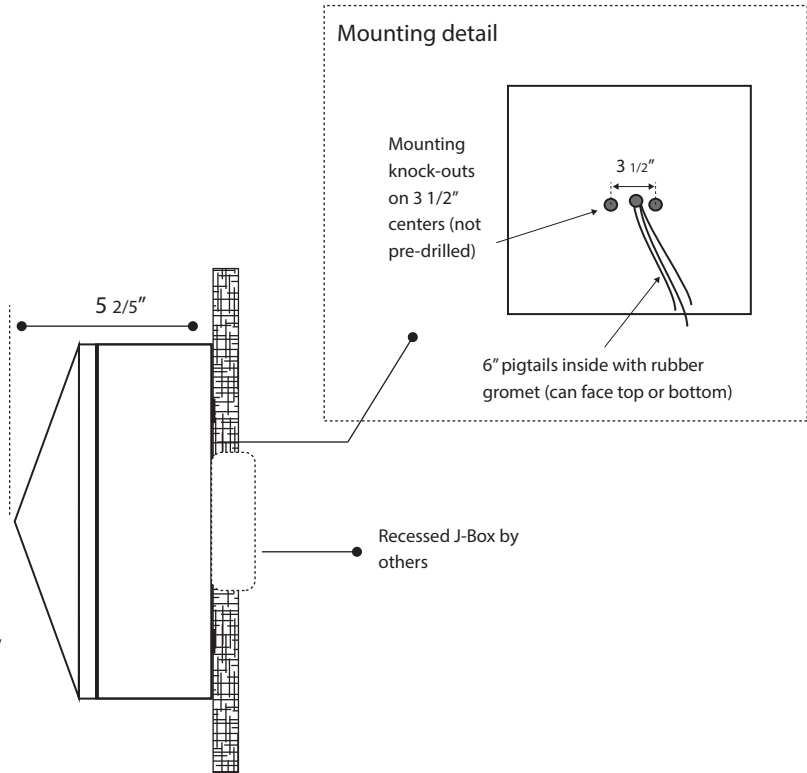
**Dimensions & Mounting:**

Please note that drawings are not to scale.

Front view



Side view



**Listing:**

Complies to CSA and UL standards.

**Polar Graph:**

