



Date:
Type:
Project:



CLUB II - PENDANT

DESCRIPTION:

The CLUB pendant consists of an aluminum crossbar construction and opal acrylic lens.

Name	Lamping		Lumens	Color Temp		Electrical		Mounting	
CLUB II	CLUB II	120 LED 3X40BIAX	15600	3000K	UNV	120-277V	AC48	48" Aircraft Cable	
4000K				HLV	347-480V	P48	48" Pendant Stem		
5000K									
	Red, Green, and Blue LEDs			5000K					
	*Contact for other wattages		*Contact for custom	*Specify other				*Contact for other lengths	

Lens		Light Pattern		Options		Finishes		
OAL	Opal Acrylic Lens (Std)	D	Down Light (Std)	DM	0-10V Dimming	BL	Black	
FL	Frosted Acrylic Lens			EM	Emergency Battery	WH	White	
				DS	Dust Shield	SG	Silver Grey	
				SV	Swivel Canopy	BZ	Bronze	
							*See finishes info on website	

✦ Lumens are based on Max Wattage and 5000K CCT

Std - Standard Offering

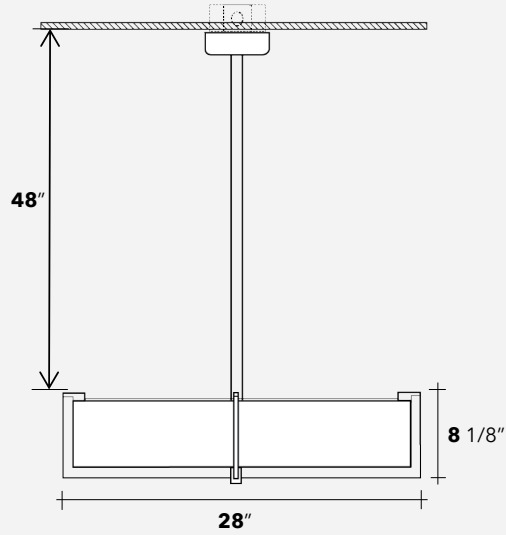
CLUB-II- _____

Customization Notes:

➤➤➤ Info on this spec sheet will change without notice as product development is an ongoing process.



Dimensions & Mounting (drawings are not to scale)



Polar Graph

