

<b>Date:</b>
<b>Type:</b>
<b>Project:</b>



**CIRC-III - PENDANT**

**DESCRIPTION:**

The lens is located on the bottom (Std) of fixture. Various mounting systems available to suit any indoor space. Select between lens profile of 4" or 6 ¼".

Name	Lamping		Lumens▼	Color Temp	Electrical		Mounting	
CIRC-III-24	24"	24W U/24W D (Max)	8448	3000K	UNV	120-277V	3AC48-CMB	3X48" aircraft cables with individual canopies
CIRC-III-36	36"	36W U/36W D (Max)	12672	4000K	HLV	347-480V	3AC48-SPD	3 aircraft cables connect to spider mount hub
CIRC-III-48	48"	48W U/48W D (Max)	16896	5000K			3AC48-TR	3 aircraft cables converge to single canopy
CIRC-III-60	60"	60W U/60W D (Max)	21120				3AC48-SPD-P	Combination of aircraft cables and stem
CIRC-III-72	72"	72W U/72W D (Max)	25344					
	*Contact for other wattages		*Contact for custom	*Specify other				*Contact for other lengths

Lens		Light Pattern		Options		Finishes	
OAL	Opal Acrylic Lens	D	Down Light (Std)	DM	0-10V Dimming	BL	Black
		UD	Up and Down Light	DM1	1% Dimming	WH	White
				2CC	2 Circuit Wiring	SG	Silver Grey
				SF	Single Fuse	BZ	Bronze
				EM	Emergency Battery		
				RB	Remote Ballast/Driver		
							*See finishes info on website

✦ Lumens are based on Max Wattage and 5000K CCT

▼ Total Lumens for Up & Down

Std - Standard Offering

CIRC-III- \_\_\_\_\_ - \_\_\_\_\_ - \_\_\_\_\_ - \_\_\_\_\_ - \_\_\_\_\_ - \_\_\_\_\_ - \_\_\_\_\_ - \_\_\_\_\_ - \_\_\_\_\_ - \_\_\_\_\_

**Customization Notes:**

---



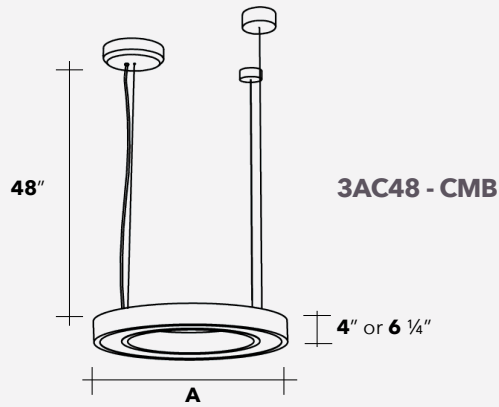
---



---

▶▶▶ Info on this spec sheet will change without notice as product development is an ongoing process.

**Dimensions & Mounting** (drawings are not to scale)



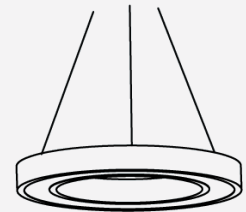
3AC48 - SPD - P



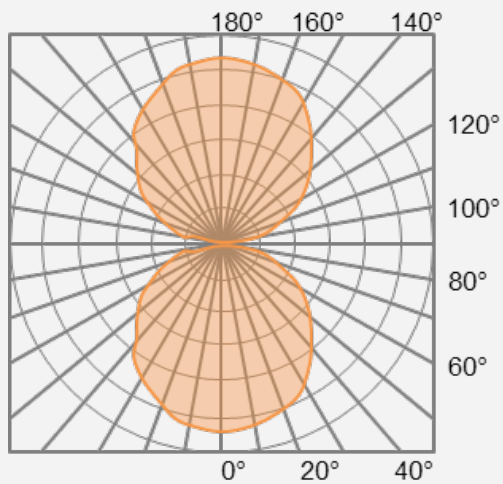
3AC48 - SPD



3AC48 - TR



**Polar Graph**



**Up and Down Light**