

Date:
Type:
Project:



CIRC-II - PENDANT

DESCRIPTION:

This circular pendant does not have a lens. Various mounting systems available. Select between lens profile of 4" or 6 1/4".

Name	Lamping		Lumens	Color Temp	Electrical		Mounting	
CIRC-II-24	24"	24 LED (Max)	4224	3000K	UNV	120-277V	3AC48-CMB	3X48" aircraft cables with individual canopies
CIRC-II-36	36"	36 LED (Max)	6336	4000K	HLV	347-480V	3AC48-SPD	3 aircraft cables connect to spider mount hub
CIRC-II-48	48"	48 LED (Max)	8448	5000K			3AC48-TR	3 aircraft cables converge to single canopy
CIRC-II-60	60"	60 LED (Max)	10560				3AC48-SPD-P	Combination of aircraft cables and stem
CIRC-II-72	72"	72 LED (Max)	12672					
		*Contact Solera for other Wattages		*Contact for custom	*Specify other		*Contact for other lengths	

Lens		Light Pattern		Options		Finishes		
NA	Not Applicable	RG	Reflective Glow	DM	0-10V Dimming	BL	Black	
				DM1	1% Dimming	WH	White	
				2CC	2 Circuit Wiring	SG	Silver Grey	
				SF	Single Fuse	BZ	Bronze	
				EM	Emergency Battery			
				RB	Remote Ballast/Driver			
							*See finishes info on website	

✦ Lumens are based on Max Wattage and 5000K CCT

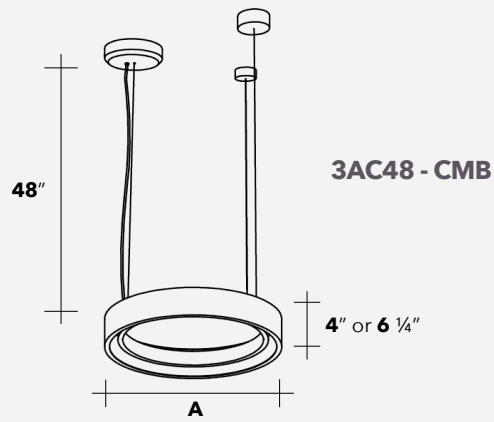
Std - Standard Offering

CIRC-II- _____

Customization Notes:

▶▶▶ Info on this spec sheet will change without notice as product development is an ongoing process.

Dimensions & Mounting (drawings are not to scale)



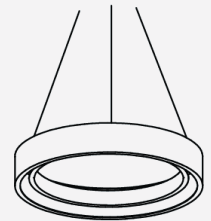
3AC48 - SPD



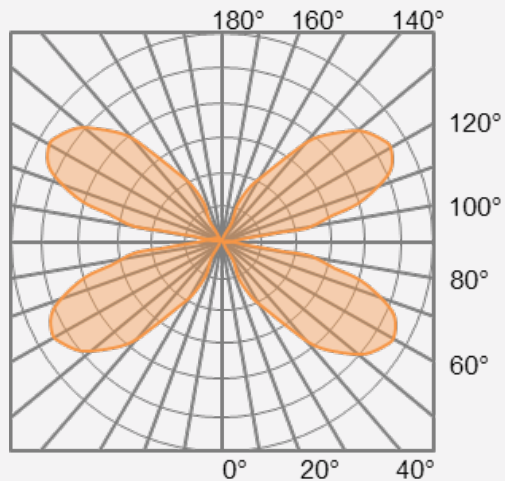
3AC48 - SPD - P



3AC48 - TR



Polar Graph



Reflective Glow