



<b>Date:</b>
<b>Type:</b>
<b>Project:</b>



**CIRC - PENDANT**

**DESCRIPTION:**

The lens is located on the inside of fixture housing. Various mounting systems available to suit any indoor space. Lens profile (height) is 6 1/4".

Name	Lamping		Lumens	Color Temp	Electrical		Mounting	
CIRC-24	24"	24 LED (Max)	4224	3000K	UNV	120-277V	3AC48-CMB	3X48" aircraft cables with individual canopies
CIRC-36	36"	36 LED (Max)	6336	4000K	HLV	347-480V	3AC48-SPD	3 aircraft cables connect to spider mount hub
CIRC-48	48"	48 LED (Max)	8448	5000K			3AC48-TR	3 aircraft cables converge to single canopy
CIRC-60	60"	60 LED (Max)	10560				3AC48-SPD-P	Combination of aircraft cables and stem
CIRC-72	72"	72 LED (Max)	12672					
	Red, Green, and Blue LEDs							
	*Contact for other wattages		*Contact for custom	*Specify other				*Contact for other lengths

Lens		Light Pattern		Options		Finishes		
OAL	Opal Acrylic Lens (Std)	IG	Internal Glow	DM	0-10V Dimming	BL	Black	
ABL	Alabaster Lens			DM1	1% Dimming	WH	White	
				2CC	2 Circuit Wiring	SG	Silver Grey	
				SF	Single Fuse	BZ	Bronze	
				EM	Emergency Battery			
				RB	Remote Ballast/Driver			
							*See finishes info on website	

✦ Lumens are based on Max Wattage and 5000K CCT

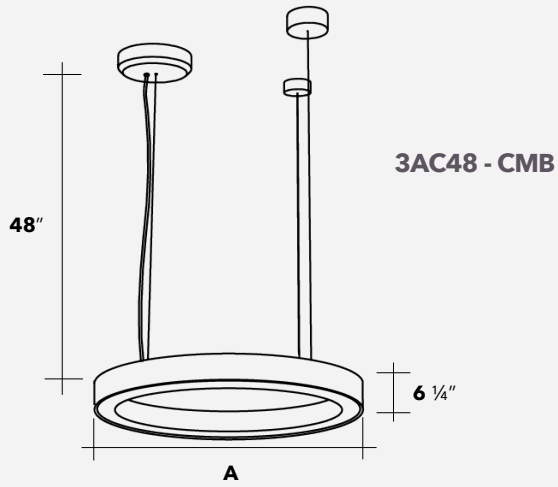
Std - Standard Offering

CIRC- \_\_\_\_\_

**Customization Notes:**

▶▶▶ Info on this spec sheet will change without notice as product development is an ongoing process.

### Dimensions & Mounting (drawings are not to scale)



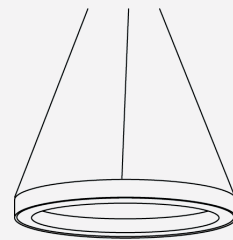
3AC48 - SPD



3AC48 - SPD - P



3AC48 - TR



### Polar Graph

