



Date:
Type:
Project:



CEDRO - WALL MOUNT

DESCRIPTION:

Standard housing is constructed of fabricated aluminum and opal acrylic lenses. Lens is silicone sealed to exclude dust and bugs.

Name	Lamping	Lumens	Color Temp	Electrical		Mounting	
CEDRO	8W LED (Max)	1409	3000K	UNV	120-277V	WM	Wall Mount
	2PLT42		4000K	HLV	347-0480V		
	2XBIAx42		5000K				
	*Contact for other wattages	*Contact for custom	*Specify other				

Lens		Light Pattern		Options		Finishes		
OAL	Opal Acrylic Lens	S	Side Light (Std)	DM	0-10V Dimming	BL	Black	
CGL	Color Glow Acrylic Lens	F	Front Light	DM1	1% Dimming	WH	White	
		FS	Front & Side Light	TP	Tamperproof Hardware	SG	Silver Grey	
				TS	Tamperproof Screwdriver	BZ	Bronze	
				SF	Single Fuse			
				DB	Deep Back Box			
				RB	Remote Ballast/Driver			
							*See finishes info on website	

✦ Lumens are based on Max Wattage and 5000K CCT

Std - Standard Offering

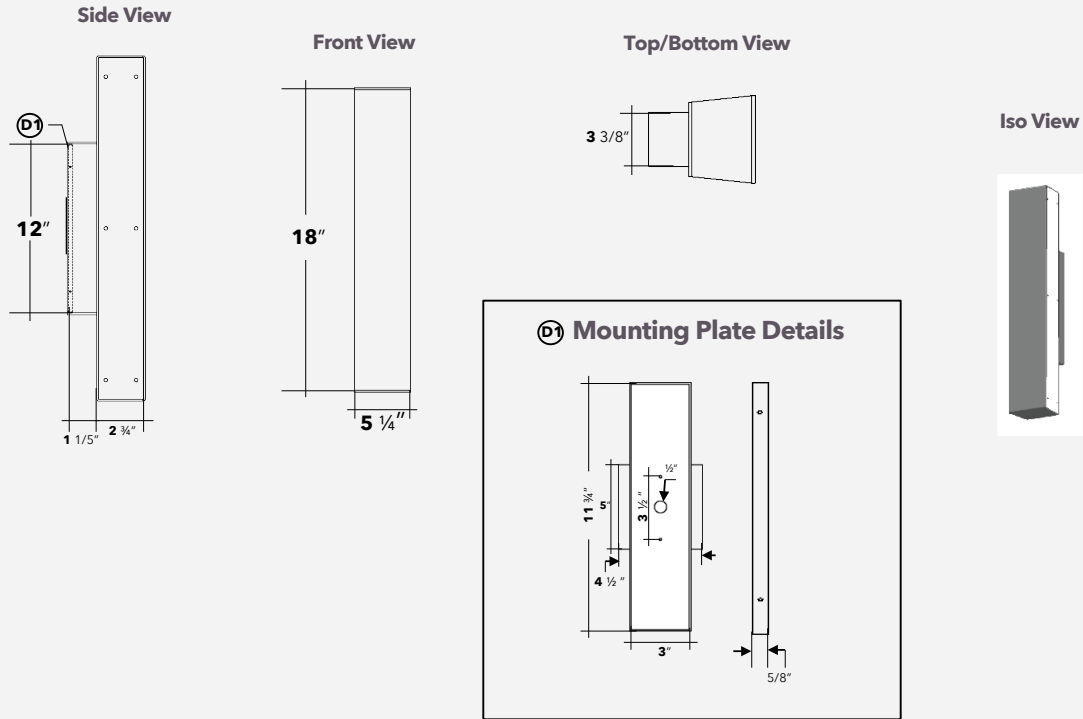
CEDRO- _____

Customization Notes:

▶▶▶ Info on this spec sheet will change without notice as product development is an ongoing process.



Dimensions & Mounting (drawings are not to scale)



Polar Graph

