



Date:
Type:
Project:



CAPR - PENDANT

DESCRIPTION:

CAPR is a modern rectilinear pendant with a fabric exterior. The frame is made of heavy duty aluminum.

Name	Lamping		Lumens	Color Temp	Electrical		Mounting	
CAPR-24	CAPR-24	20 LED (Max)	3522	3000K	UNV	120-277V	2P6	2X6" Pendant Stems
CAPR-40	CAPR-40	40 LED (Max)	7043	4000K	HLV	347-480V	2AC24	2X24" Aircraft Cables
CAPR-60	CAPR-60	52 LED (Max)	9155	5000K				
	*Contact for other wattages		*Contact for custom	*Specify other				*Contact for other lengths

Lens		Light Pattern		Options		Finishes	
OAL	Opal Polycarbonate Lens	D	Down Light (Std)	DM	0-10V Dimming	BL	Black
		UD	Up and Down Light	DM1	1% Dimming	WH	White
				EM	Emergency Battery	SG	Silver Grey
				BG	Bug Shield	BZ	Bronze
				UP	Up Light (Indicate %)	FAB	Fabric (Contact for info)
							*See finishes info on website

✦ Lumens are based on Max Wattage and 5000K CCT

Std - Standard Offering

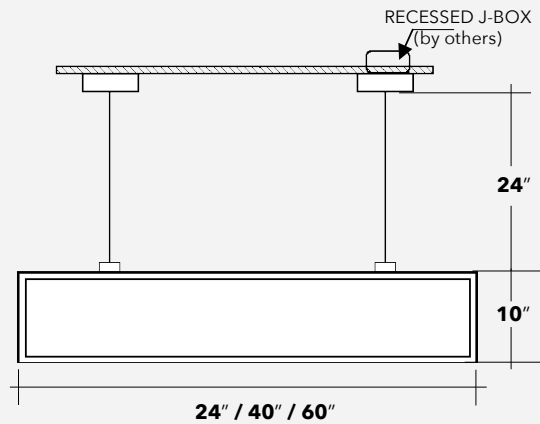
CAPR- _____ - _____ - _____ - _____ - _____ - _____ - _____ - _____

Customization Notes:

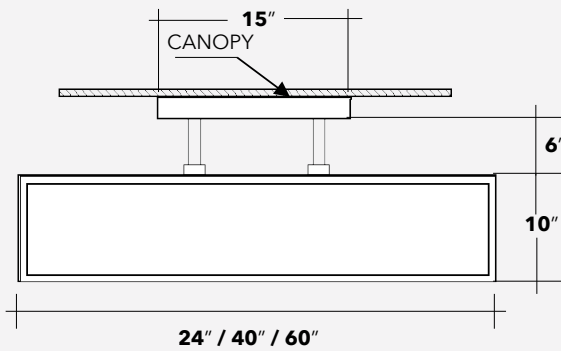
▶▶▶ Info on this spec sheet will change without notice as product development is an ongoing process.



Dimensions & Mounting (drawings are not to scale)



2AC24 Mounting



2P6 Mounting

Polar Graph

