

Date:
Type:
Project:



BC - PENDANT

DESCRIPTION:

Construction consists of cast aluminum dome bottom and spun aluminum hood.
Available in 3 standard variations:

- BC1 - With Decorative Hood
- BC2 - With Flat Hood
- BC3 - With Flat Perforated Hood

Name	Lamping	Lumens	Color Temp	Electrical		Mounting	
BC-1	45W LED (Max)	6585	3000K	UNV	120-277V	AC48	48" Aircraft Cable (Std)
BC-2	32PLT		4000K	HLV	347-480V	P48	48" Pendant Stem
BC-3	100 MH		5000K	TT	Tri-Tap (HID)		
				MT	Multi-Tap (HID)		
	*Contact for other wattages	*Contact for custom	*Specify other				*Contact for other lengths

Lens		Light Pattern		Options		Finishes	
CG	Clear Glass Lens	D	Down Light	DM	0-10V Dimming	BL	Black
PG	Prismatic Glass Lens			DM1	1% Dimming	WH	White
				SF	Single Fuse	SG	Silver Grey
				EM	Emergency Battery	BZ	Bronze
				AEL	Quartz Restrike		
							*See finishes info on website

✦ Lumens are based on Max Wattage and 5000K CCT

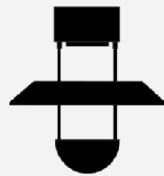
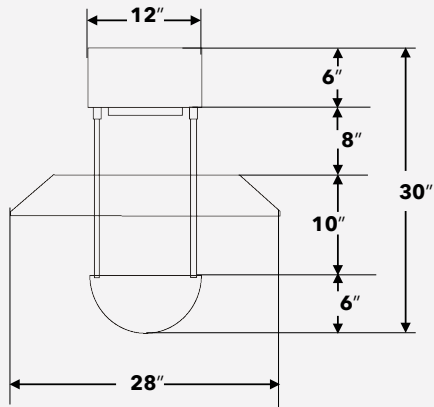
Std - Standard Offering

BC- _____ - _____ - _____ - _____ - _____ - _____ - _____ - _____

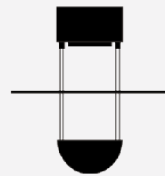
Customization Notes:

▶▶▶ Info on this spec sheet will change without notice as product development is an ongoing process.

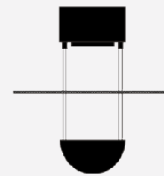
Dimensions & Mounting (drawings are not to scale)



BC1

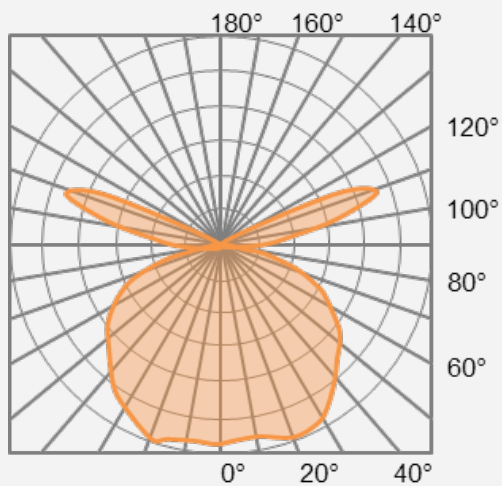


BC2



BC3 *Perforated Hood*

Polar Graph



Down Light