



Date:
Type:
Project:



AXD-S - POST TOP

DESCRIPTION:

Constructed of cast aluminum and comes with a silicone sealed lens for weather tight seal.

Name	Lamping	Source Lumens	Color Temp	Electrical		Mounting	
AXD-S	50W LED (Max)	6949	3000K	UNV	120-277V	PT4	Post top slips over 4" dia pole
	70MH-T6		4000K	HLV	347-480V	PT3	Post top slips over 3" dia pole
			5000K	TT	Tri-Tap (TT)	WM	Wall Mount
				MT	Multi-Tap (MT)		
	*Contact for other wattages	*Contact for custom	*Specify other				

Lens		Light Pattern		Options		Finishes	
CPL	Clear Polycarbonate Lens (Std)	TY5	Type V (Std)	TP	Tamperproof Hardware	BL	Black
PR	Prismatic Lens (K12)	TY3	Type III	TS	Tamperproof Screws	WH	White
OPL	Opal Polycarbonate Lens	TY2	Type II	PC	Button Photocell	SG	Silver Grey
		ASM	Asymmetric	SF	Single Fuse	BZ	Bronze
							*See finishes info on website

✦ Lumens are based on Max Wattage and 5000K CCT

Std - Standard Offering

IES - IES files available upon request

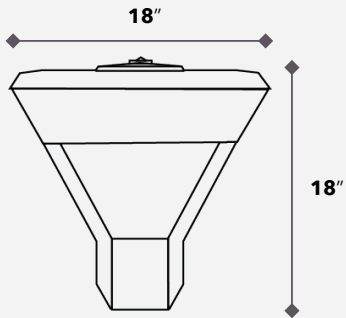
AXD-S- _____

Customization Notes:

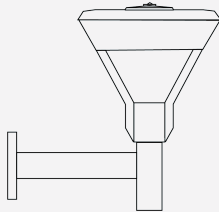
➤➤➤ Info on this spec sheet will change without notice as product development is an ongoing process.



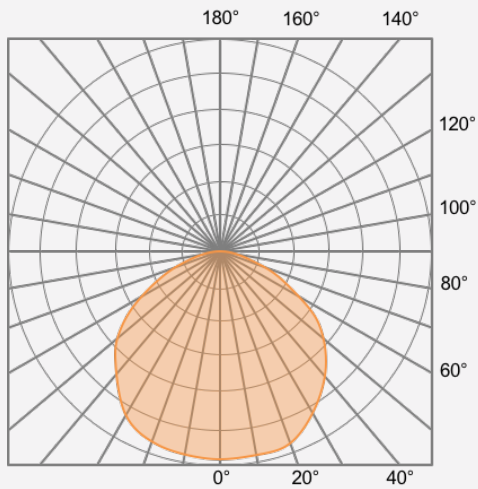
Dimensions & Mounting (drawings are not to scale)



 **Wall Mount Version**



Polar Graph



TYPE V