



Date:
Type:
Project:



AXD - POST TOP/POLE MOUNT

DESCRIPTION:

Powerful post top designed for Dark Sky Initiatives. Made of cast aluminum.

Name	Lamping	Lumens ▼	Color Temp	Electrical		Mounting	
AXD	144W LED (Max)	16632	3000K	UNV	120-277V	PT4	Post top slips inside 4" dia pole
	400W MH		4000K	HLV	347-480V	PT3	Post top slips inside 3" dia pole
			5000K	TT	Tri-Tap (HID)		
				MT	Multi-Tap (HID)		
	*Contact for other wattages	*Contact for custom	*Specify other				

Lens		Light Pattern		Options		Finishes	
CPL	Clear Polycarbonate Lens (Std)	TY5	Type V (Std)	TP	Tamperproof Hardware	BL	Black
PR	Prismatic Lens (K12)	TY2	Type II	TS	Tamperproof Screwdriver	WH	White
CG	Clear Glass Lens	TY3	Type III	PC	Button Photocell	SG	Silver Grey
		TY4	Type IV	SF	Single Fuse	BZ	Bronze
							*See finishes info on website

❖ Lumens are based on Max Wattage and 5000K CCT

▼ Lumens are for Type V distribution, contact for other spread patterns

Std - Standard Offering

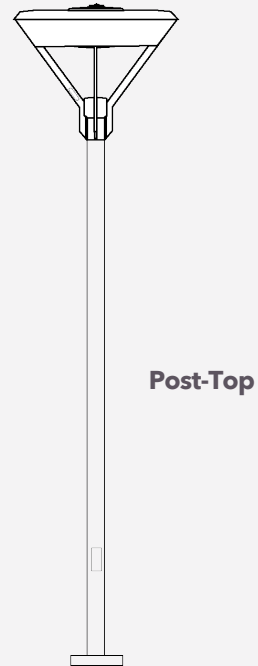
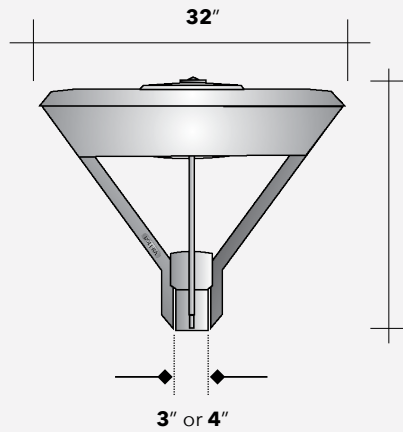
AXD- _____

Customization Notes:

▶▶▶ Info on this spec sheet will change without notice as product development is an ongoing process.

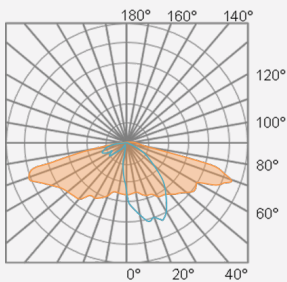


Dimensions & Mounting (drawings are not to scale)

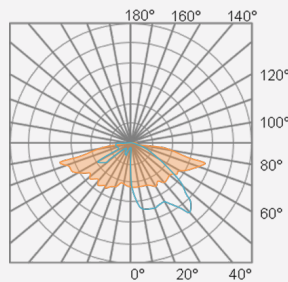


Polar Graph

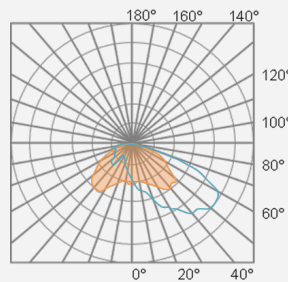
TYPE II



TYPE III



TYPE IV



TYPE V

