



Date
Quote #
Project Name
Type



ARROW

Description:

Versatile luminaire with a fin design. Fin design dissipates heat away from the LED junction and the lateral airflow keeps the system cool.

Name	Engine	Lumens	CCT	Electrical	Mounting	Lens	Pattern	Options	Finish
<input type="text"/>	<input type="text"/>	<input type="text"/>	<input type="text"/>	<input type="text"/>	<input type="text"/>	<input type="text"/>	<input type="text"/>	<input type="text"/>	<input type="text"/>

Name	Light Engine	Source Lumens _{(LED)(5000K)}	Color Temp	Electrical
ARROW-I	I 144W LED (Max)	16227	30K 3000K	UNV 120-277V
ARROW-II	II 288W LED (Max)	32454	35K 3500K 40K 4000K 50K 5000K	HLV 347-480V

Contact for custom

Contact for custom

Contact for custom

Mounting	Lens	Light Pattern	Options	Finishes
ER3 Arm for round or square pole		TY5 Type V (Std)	SD Step dimming	Standard
			MS Motion sensor	BL Black
YM Yoke mount		TY4 Type IV	TCO Trespass Cut Off	WH White
P Pendant stem mount (length is nominal)		TY3 Type III	TP Tamperproof hardware	SG Silver Grey
CM Ceiling mount		TYII Type II	TS Tamperproof screws	BZ Bronze
WM Wall mount			PC Button photocell	Custom
			PCR Photocell receptacle	CC Custom Color
			EM Emergency battery	See website for custom colors. Contact factory for physical samples.
			BD Barn doors	
			LVR Internal louvers	
			SF Single fuse	

For better illustration on mounting see [page 2]

- Lumens are based on max wattage & 5000K CCT
- IES files available upon request
- Std - Standard Offering

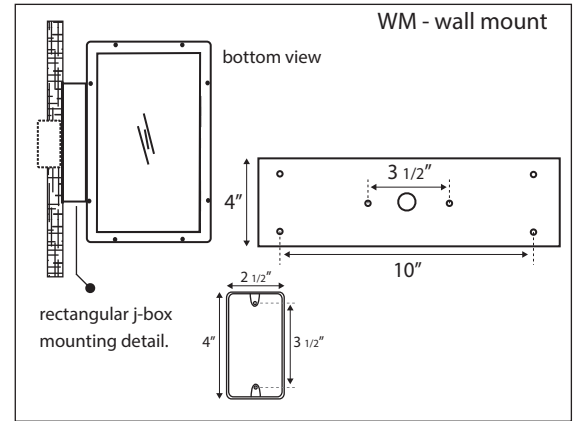
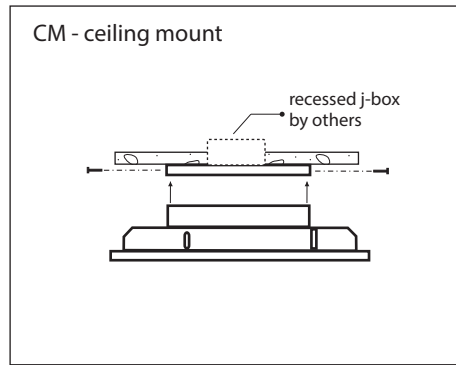
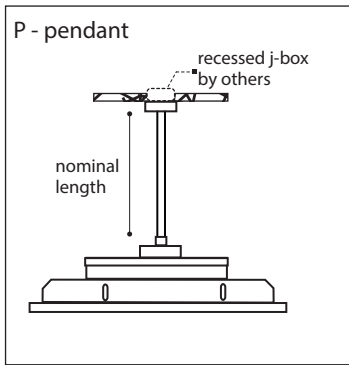
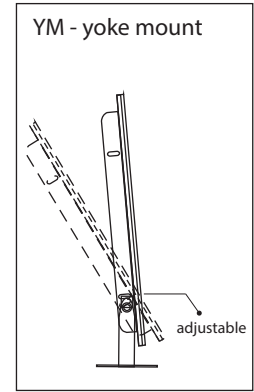
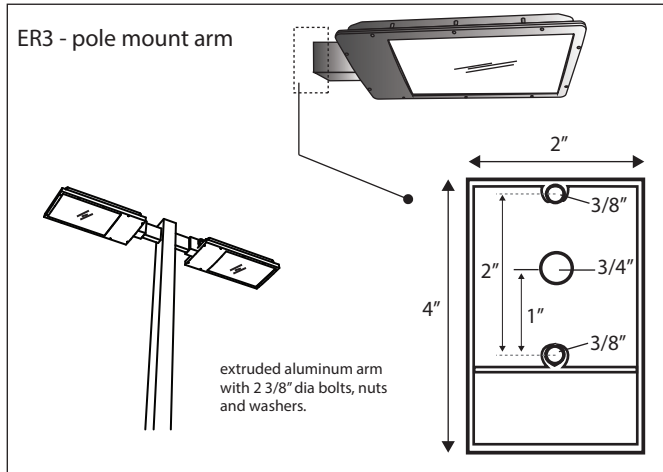
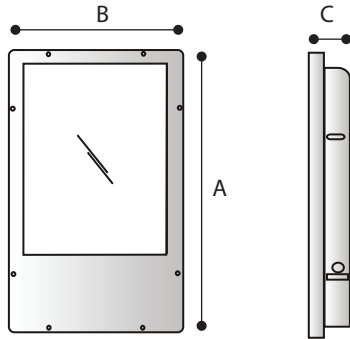




Dimensions & Mounting:

Please note that drawings are not to scale.

	A	B	C
ARROW-I	19 1/4"	11 7/8"	2 7/8"
ARROW-II	26"	14 1/4"	2 7/8"

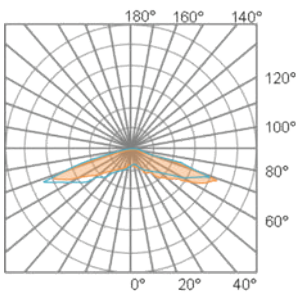


Listing:

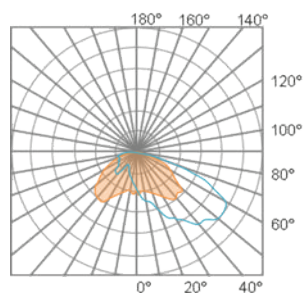
Complies to CSA and UL standards.

Polar Graph:

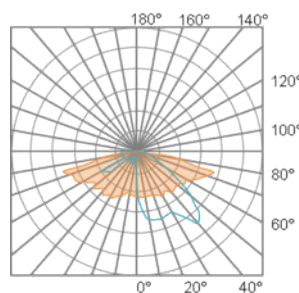
TY5



TY4



TY3



TY2

