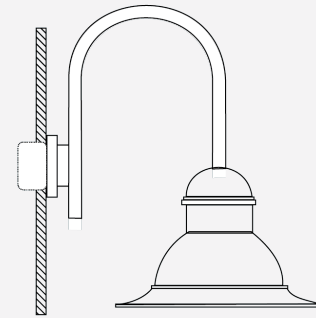


Date:
Type:
Project:



APL - WALL MOUNT

DESCRIPTION:

APL Wall Mount is made of one piece aluminum ballast housing and heavy gauge spun aluminum hood with beaded edge. All hardware is stainless steel material.

Name	Lamping		Lumens	Color Temp	Electrical		Mounting	
APL-20	20"	35W LED (Max)	4680	3000K	UNV	120-277V	GN	Goose Neck Arm
APL-22	22"	48W LED (Max)	6237	4000K	HLV	347-480V	DCA	Decorative Curved Arm
APL-24	24"	60W LED (Max)	7802	5000K			WM1	Single Straight Arm
							E2B	E2 Bracket Arm (20" only)
	*Contact for other wattages		*Contact for custom	*Specify other				

Lens		Light Pattern		Options		Finishes		
CG	Clear Glass	TY5	Type V (Std)	PCR	Photocell Receptacle	BL	Black	
SAG	SAG Glass Lens (Convex)	TY4	Type IV	TP	Tamperproof Hardware	WH	White	
LMD	Lumidome, Acrylic	TY3	Type III	PC	Button Photocell	SG	Silver Grey	
PD	Opal Polycarbonate Dome			LO	Non-Illuminated Neck Louvers	BZ	Bronze	
				LOL	Illuminated Neck Louvers			
				DCO	Dark Sky Cutoff			
							*See finishes info on website	

✦ Lumens are based on Max Wattage and 5000K CCT

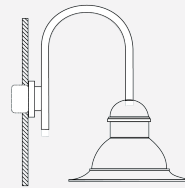
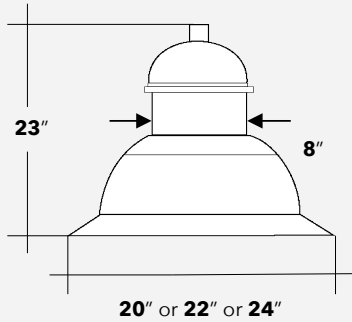
Std - Standard Offering

APL - _____

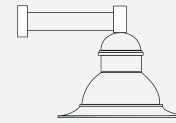
Customization Notes:

*** Info on this spec sheet will change without notice as product development is an ongoing process.

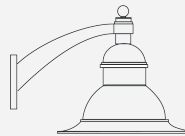
Dimensions & Mounting (drawings are not to scale)



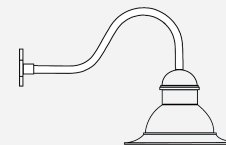
Goose Neck Arm



Single Straight Arm



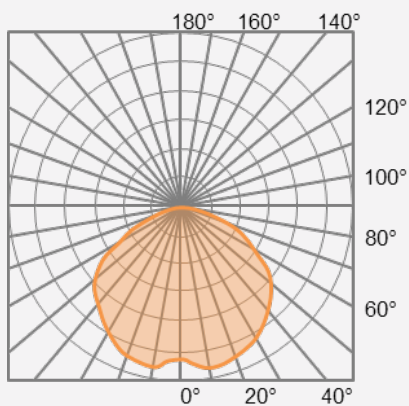
Decorative Curved Arm



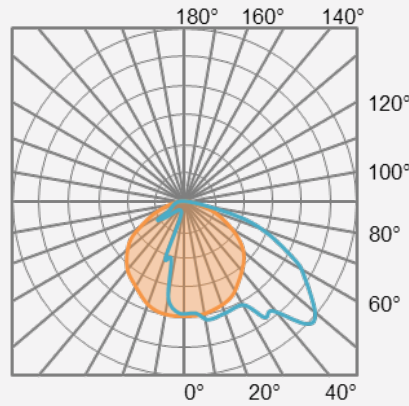
E2B Arm
(20" only)

Polar Graph

TYPE V



TYPE III



TYPE IV

