



Date:
Type:
Project:



APL - POST TOP/POLE MOUNT

DESCRIPTION:

APL Pole Mount is made of one piece aluminum ballast housing and heavy gauge spun aluminum hood with beaded edge. All hardware is made of stainless steel.

Name	Lamping		Lumens	Color Temp	Electrical		Mounting		
APL-22	22"	48W LED (Max) 100 MH	6237	3000K	UNV	120-277V	GN4	Goose Neck Arm for 4" dia pole	
APL-24				4000K	HLV	347-480V	GN5	Goose Neck Arm for 5" dia pole	
APL-28	24"	60W LED (Max) 150 MH	7802	5000K	TT	Tri-Tap (HID)	DA4	Decorative Straight Arm for 4" pole	
					MT	Multi-Tap (HID)	DA5	Decorative Straight Arm for 5" pole	
	28"	84W LED (Max) 400 MH 400 HPS	10425						
		*Contact for other wattages	*Contact for custom	*Specify other					

Lens		Light Pattern		Options		Finishes	
CG	Clear Glass Lens	TY5	Type V (Std)	PCR	Photocell Receptacle	BL	Black
SAG	Sag Glass Lens	TY4	Type IV	TP	Tamperproof Hardware	WH	White
LMD	Lumidome Acrylic	TY3	Type III	PC	Button Photocell	SG	Silver Grey
PD	Opal Polycarbonate Dome			LO	Non-Illuminated Neck Louvers	BZ	Bronze
				LOL	Illuminated Neck Louvers		
				SF	Single Fuse		
				DCO	Dark Sky Cutoff	*See finishes info on website	

✦ Lumens are based on Max Wattage and 5000K CCT

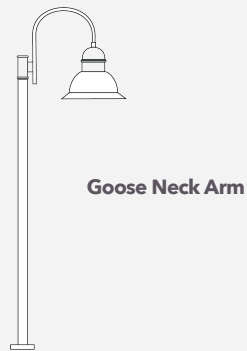
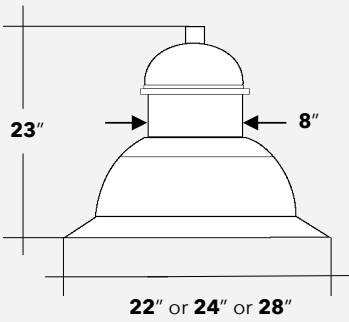
Std - Standard Offering

APL- _____ - _____ - _____ - _____ - _____ - _____ - _____ - _____

Customization Notes:

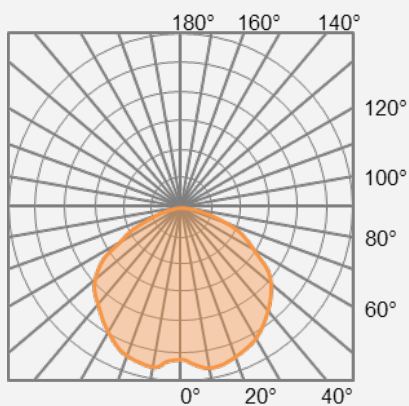
▶▶▶ Info on this spec sheet will change without notice as product development is an ongoing process.

Dimensions & Mounting (drawings are not to scale)

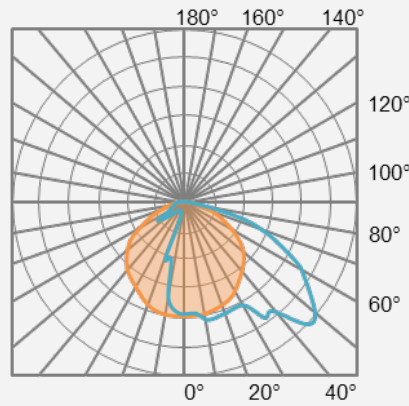


Polar Graph

TYPE V



TYPE III



TYPE IV

