



Date
Quote #
Project Name
Type



AOR-HB - Pendant

Description:

Multi-piece arrangement consists of an extruded aluminum driver and cast aluminum skirt, enabling it to stand the test of time.

Name	Engine	Lumens	CCT	Electrical	Mounting	Lens	Pattern	Options	Finish
<input type="text"/>	<input type="text"/>	<input type="text"/>	<input type="text"/>	<input type="text"/>	<input type="text"/>	<input type="text"/>	<input type="text"/>	<input type="text"/>	<input type="text"/>

Name	Light Engine	Source Lumens _{(LED)(5000K)}	Color Temp	Electrical
AOR-HB	140W LED (Max)	21982	30K	UNV 120-277V
			35K	HLV 347-480V
			40K	
			50K	

Mounting		Lens		Light Pattern		Options		Finishes	
P36	36" pendant stem (Std)	CG	Clear glass lens (Std)	D	Down light	DM	0-10V dimming	Standard	
AC48	48" aircraft cable	PR	Prismatic lens (K12)			EM	Emergency battery	BL	Black
3C	3' electrical cord with hook	OB	Open bottom			SV	Swivel canopy	WH	White
						IP65	Rated enclosure	SG	Silver Grey
								BZ	Bronze
								Custom	
								CC	Custom Color
									See website for custom colors. Contact factory for physical samples.

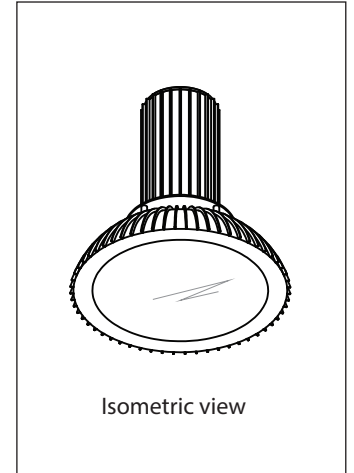
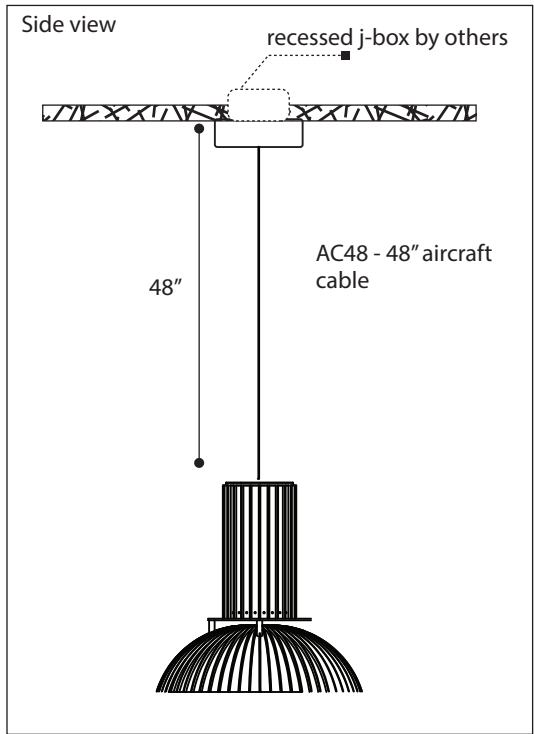
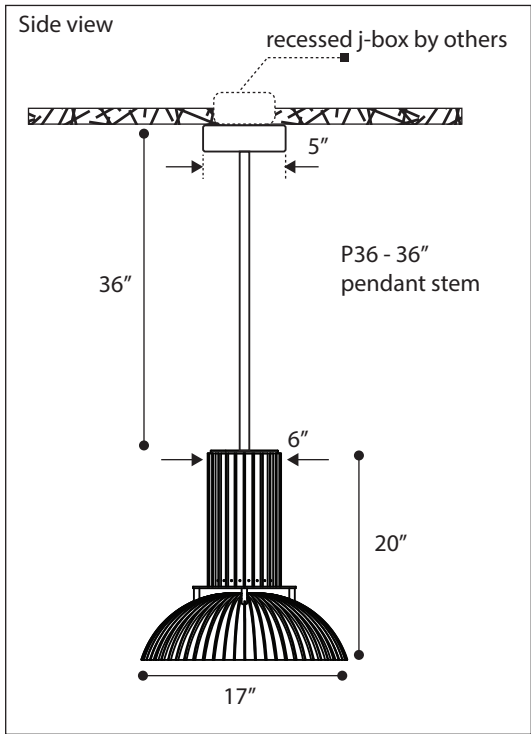
- Lumens are based on max wattage & 5000K CCT
- IES files available upon request
- Std - Standard Offering





Dimensions & Mounting:

Please note that drawings are not to scale.



Listing:

Complies to CSA and UL standards.

Polar Graph:

