



**AOR-HB**

Interior

[WWW.SOLERACORP.COM](http://WWW.SOLERACORP.COM)

AOR-HB is a modern merging of a pendant and high bay. It combines the beauty of a decorative pendant and the power of a high bay. Made of heavy duty extruded aluminum and cast aluminum skirt this luminaire is meant to stand the test of time.



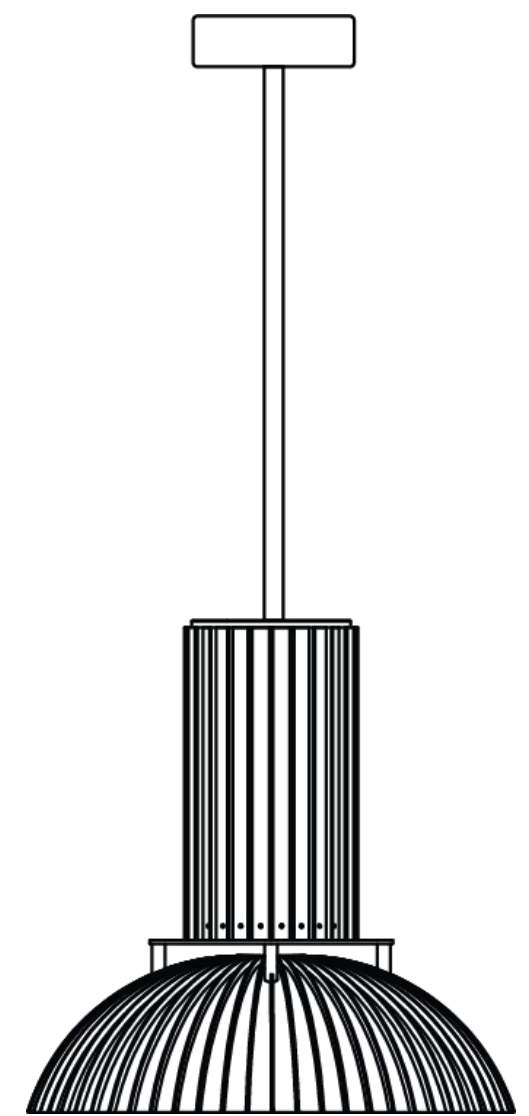
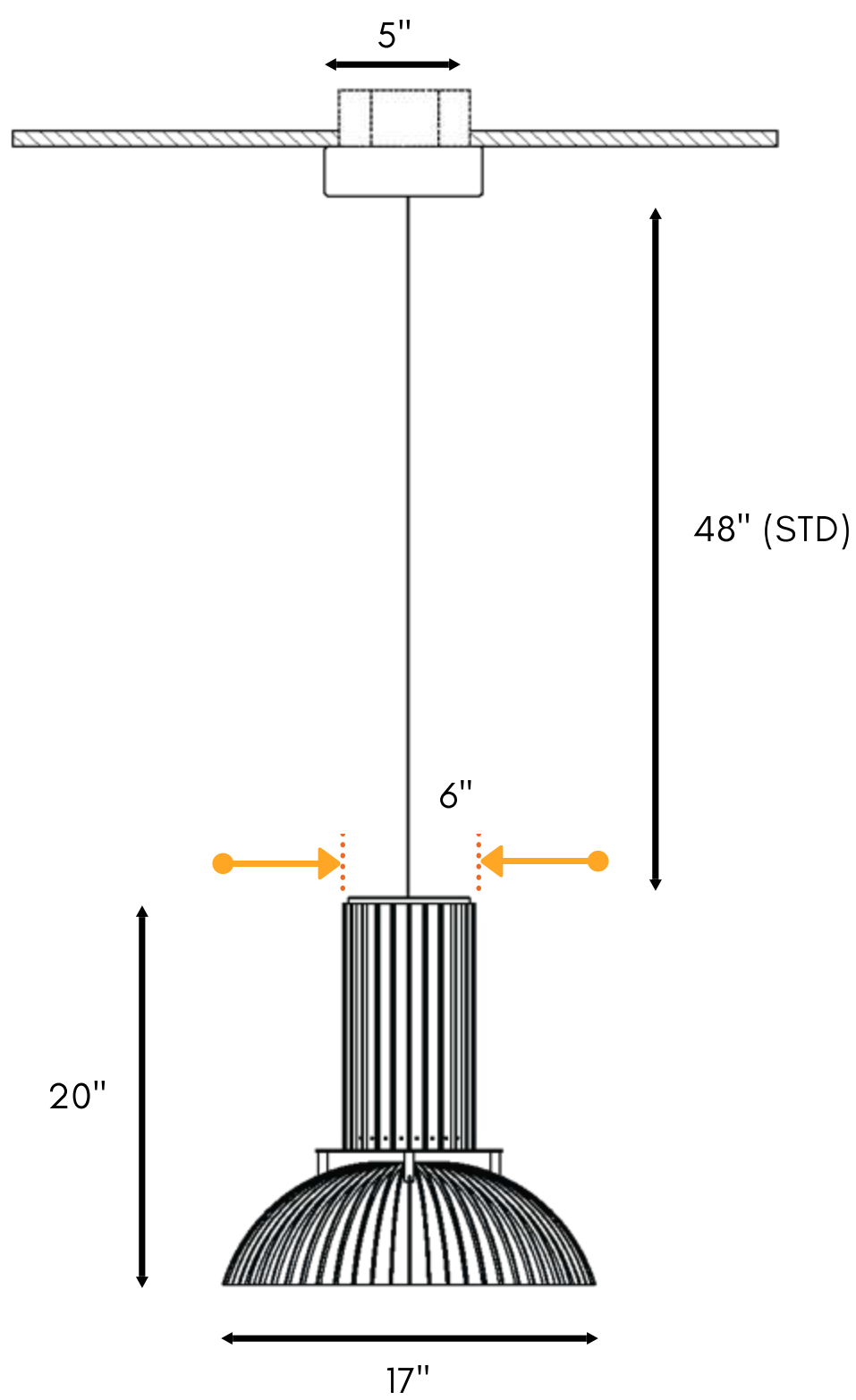
Capable of being suspended with an aircraft cable or mounted as a pendant with a stem.

Designed for spaces with high ceilings. Customizable lengths and color temperatures available.



Illuminated with a Chip on Board (COB) LED module. Wattages are customizable to meet project illumination requirements.

Options include 0-10V Dimming, Open Bottom (no lens), Swivel Canopy and Emergency Operation.



**Stem Mount (P)**

**Lamping:** 140W LED (Max).

**Lumens:** 21982 (based on max wattage & 5000K CCT)

**Correlated Color Temps:** Available in 3000K, 4000K and 5000K (contact for custom).

**Lens Detail / Shielding:** Select between Clear Glass Lens (CG), Prismatic Lens (K12) or Open Bottom (O).

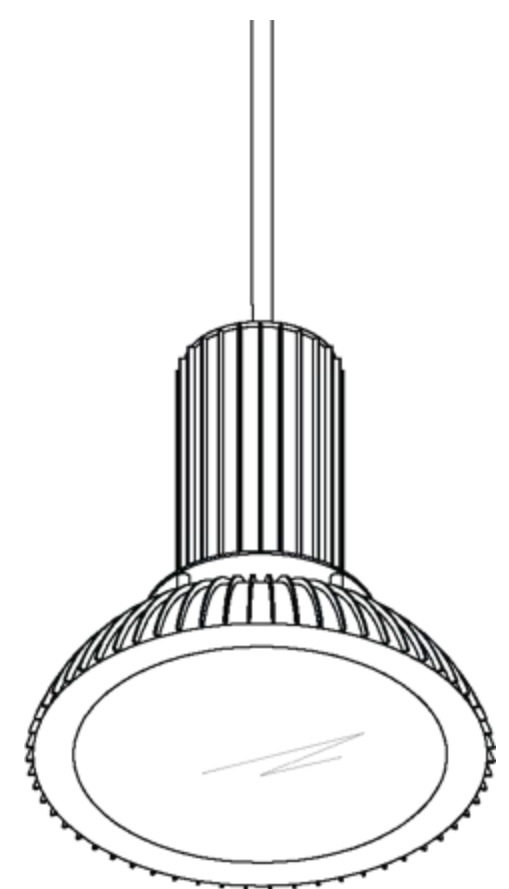
**Electrical:** Universal (120-277V) LED Driver is standard. Other options include 347V (Canada) and 480V.

**Mounting:** Choose (AC) for suspension with aircraft cable or (P) for pendant stem. Custom lengths available.

**Options:** Nonstandard options include Emergency Operation (EM), Dimming (0-10V), Swivel Canopy (SV) and IP65 Enclosure (IP65).

**Finish:** Choose the desired paint finish. Standard finishes include Minitex Black (BL), Minitex White (WH), Minitex Silver (SG) and Minitex Bronze (BZ).

**Custom Colors Available:** See finishes info on website.



**ISO View**



1610 Sismet Road  
Mississauga ON  
L4W 1R4  
Canada

Ph: 905-457-4777

Toll Free: 1-877-765-3722

Fax: 905-457-1115