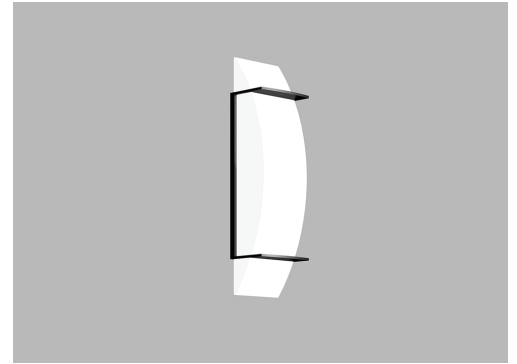




Date
Quote #
Project Name
Type



## ABLE - Wall Mount

### Description:

ABLE sports a sleek-curved design. Lens is secured and sealed to housing. Horizontal aluminum bars divides the light for a unique glow effect. All external hardware is stainless steel.

Name  - Engine  - Lumens  - CCT  - Electrical  - Mounting  - Lens  - Pattern  - Options  - Finish

Name	Light Engine	Source Lumens <sub>(LED)(5000K)</sub>	Color Temp	Electrical
ABLE	18W LED (Max)	4756	30K	UNV 120-277V
			35K	HLV 347-480V
			40K	
			50K	

Contact for custom

Contact for custom

Contact for custom

Mounting	Lens	Light Pattern	Options	Finishes
WM Wall mount	OPL Opal polycarbonate lens	EG Encompassing glow	DM 0-10V dimming	Standard
			DM1 1% dimming	BL Black
			WL Wet location	WH White
			SF Single fuse	SG Silver Grey
			EM Emergency battery	BZ Bronze

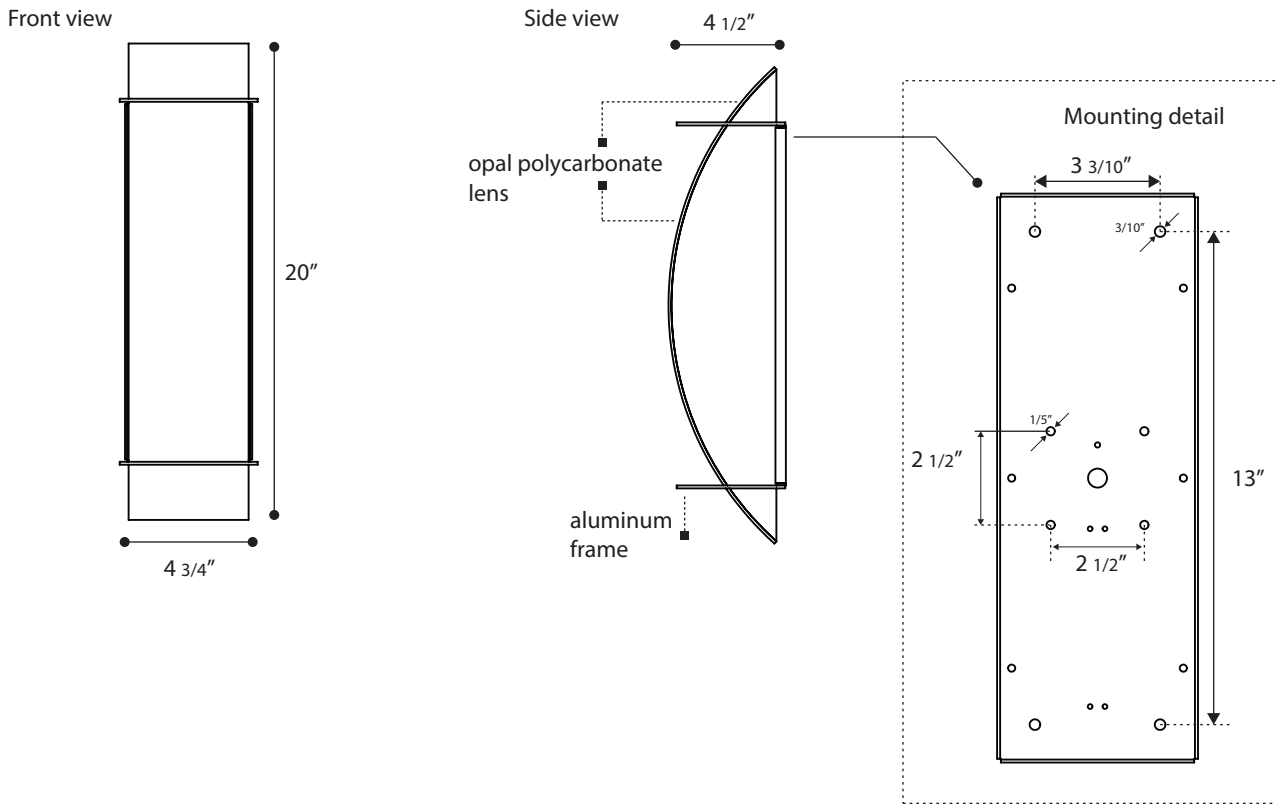
- Lumens are based on max wattage & 5000K CCT
- IES files available upon request
- Std - Standard Offering





**Dimensions & Mounting:**

Please note that drawings are not to scale.



**Listing:**

Complies to CSA and UL standards.

**Polar Graph:**

